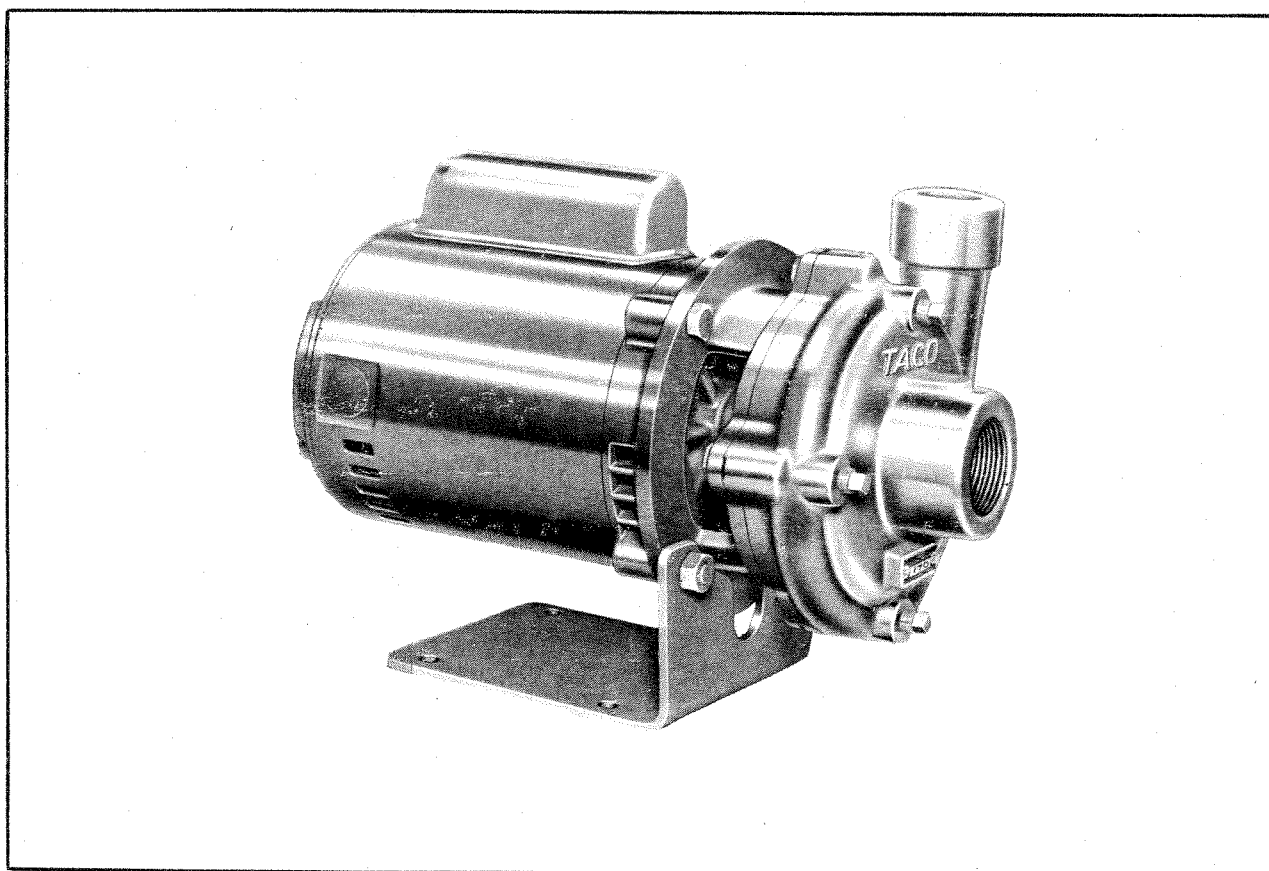


BASIC DESIGN

Simplicity of design, quality of construction. These are the basic characteristics which make the Taco 170 Series Pump ideally suited for all installations.

For example, the design of this pump has been

so simplified, without sacrifice of performance, that any servicing required can be done in the field with tools normally carried by all service men. In addition, the 170 is compact, lightweight and low cost.



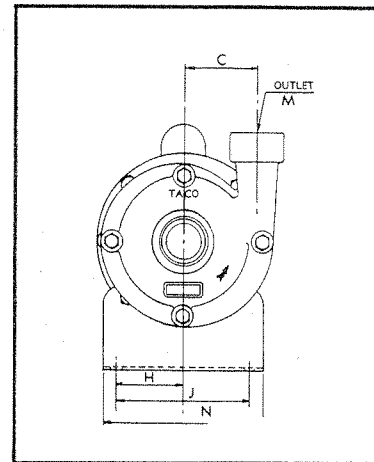
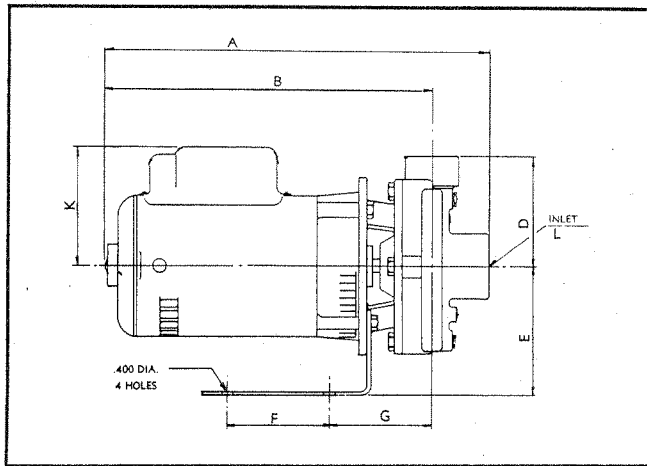
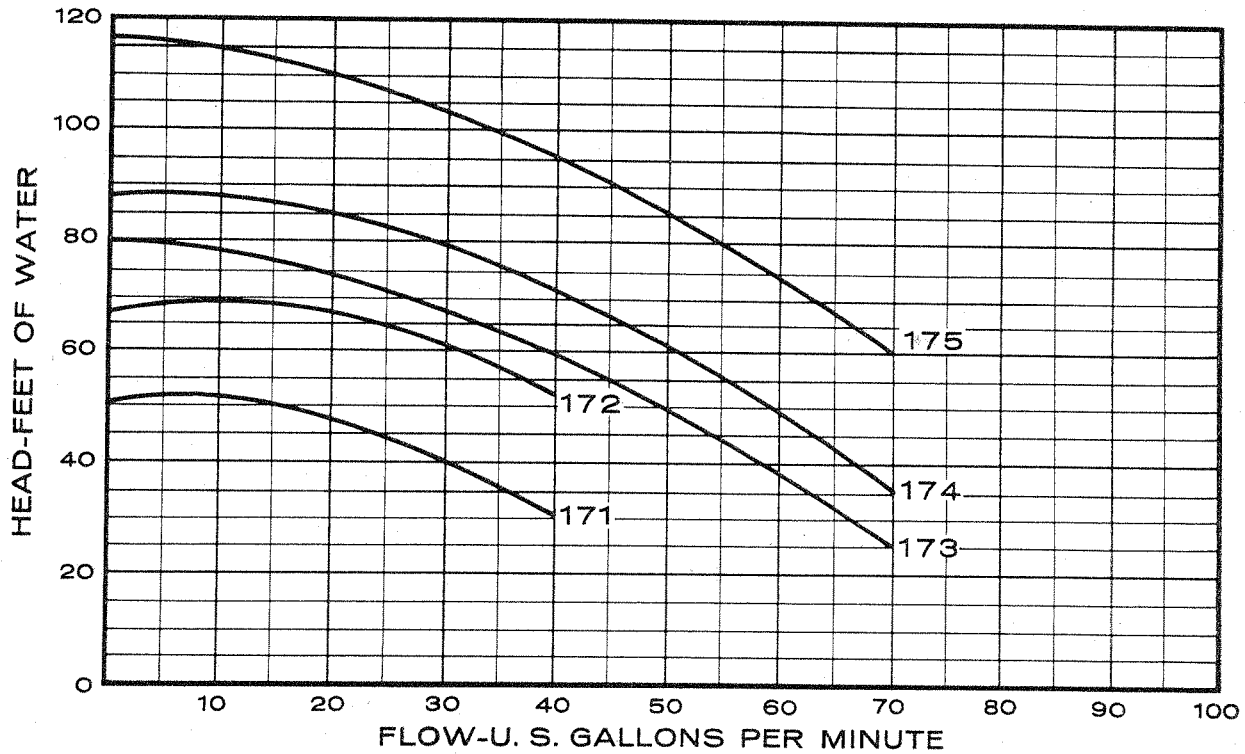
HISTORY

The quality of the 170 series centrifugal pumps is assured by Taco's years of experience in the manufacture of water circulators and one of the industry's most advanced statistical quality con-

trol programs. You can depend on the Taco 170 to deliver the performance you want with the consistency you must have.



# PERFORMANCE CURVES



# DIMENSIONS

Pump No.	Motor H. P.†	A	B	C	D	E	F	G	H	J	K	L	M	N	Approx. Ship. Wt. Lbs.
171	½*	13¾	9¾	2¾	4	4¾	3¾	3¾ <sub>32</sub>	2½	5	4½ <sub>32</sub>	1¼	1	6	30
172	½☆	14¾	11¾ <sub>32</sub>	2¾	4	4¾	3¾	3¾ <sub>32</sub>	2½	5	4½ <sub>32</sub>	1¼	1	6	33
173	¾☆	14¾	11¾	3	4	4¾	3¾	4½ <sub>32</sub>	2½	5	5¾	1½	1¼	6	45
174	1 ☆	15¾	12¾	3	4	4¾	3¾	4½ <sub>32</sub>	2½	5	5¾	1½	1¼	6	49
175	1½☆	16¾	14¾	3	4	4¾	3¾	4½ <sub>32</sub>	2½	5	5¾	1½	1¼	6	56

\* 3450 R.P.M. — 115V — 60 Cycle — Single Phase. 115/230V and 3 Phase Motors. Available at slight additional cost.

☆ 3450 R.P.M. — 115/230V — 60 Cycle — Single Phase. 3 Phase motors available at slight additional cost.

† Single Phase motors are overload-protected. Starting switches with overload protection must be installed with each 3 Phase Motor.

