

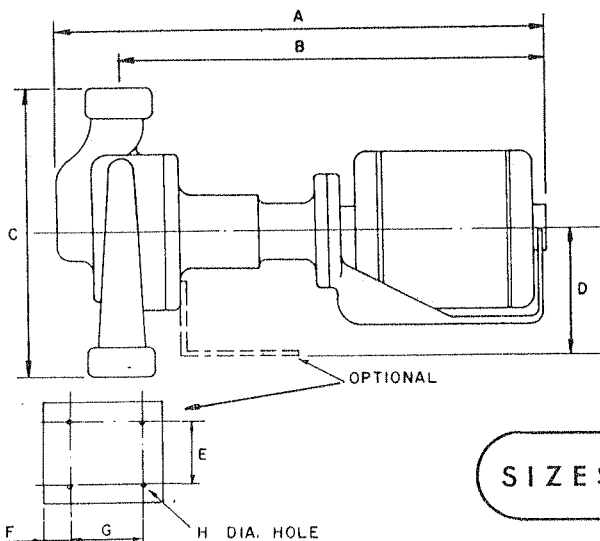
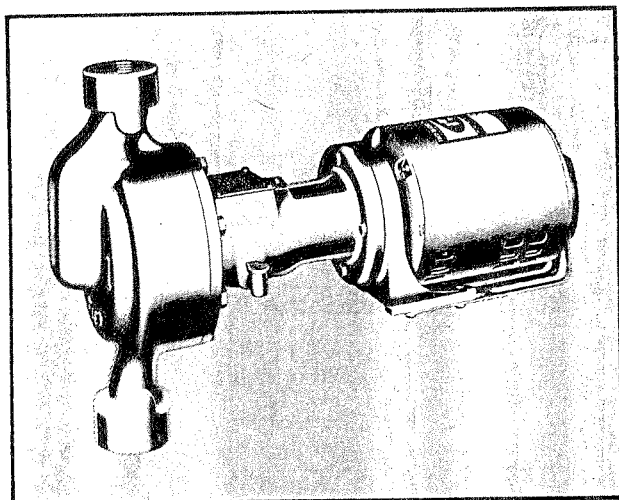


TACO HIGH HEAD CIRCULATORS

NEW

PURPOSE

For circulating or pumping water against relatively high heads on low pressure systems.



APPLICATIONS

*Ref*

- |                          |                                |
|--------------------------|--------------------------------|
| Air Conditioning Systems | Bottle Washers                 |
| Heating Systems          | Auto Laundries                 |
| Booster Service          | Cooling Towers                 |
| Dish Washers             | Dry Cleaning Plants            |
| Golf Courses             | Hot and Cold Water Circulation |
| Laundry Equipment        | Lawn Sprinklers                |
| Livestock Watering       |                                |

FEATURES AND SPECIFICATIONS

1. Quiet operating. Motor and Pump equipped with sleeve bearings.
2. Single or three phase 1750 RPM, non-overloading, rubber-mounted motors.
3. Pump bearings are slinger ring lubricated.
4. Closed Cast Iron or Bronze, dynamically balanced impellers.
5. Shaft is stainless steel, precision ground.
6. Ceramic and Carbon Mechanical Seal.
7. Flexible rubber coupling.
8. Convenient in-line mounting. An angle base is available at extra cost for base mounting.
9. Available with all wetted parts in bronze (except stainless steel shaft) at extra cost.

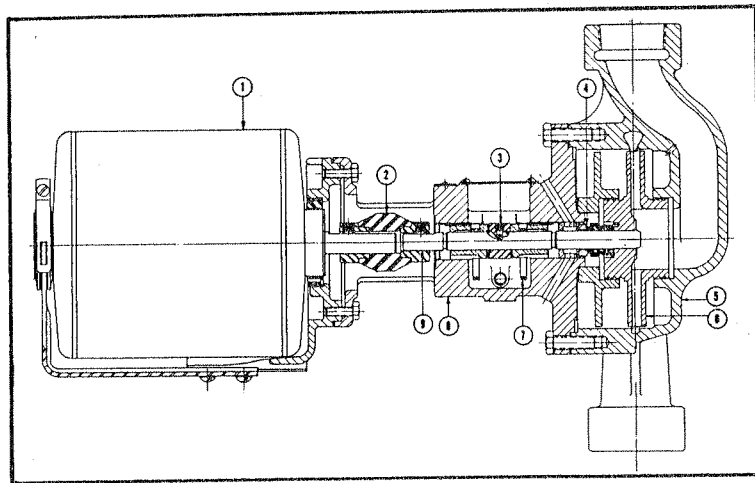
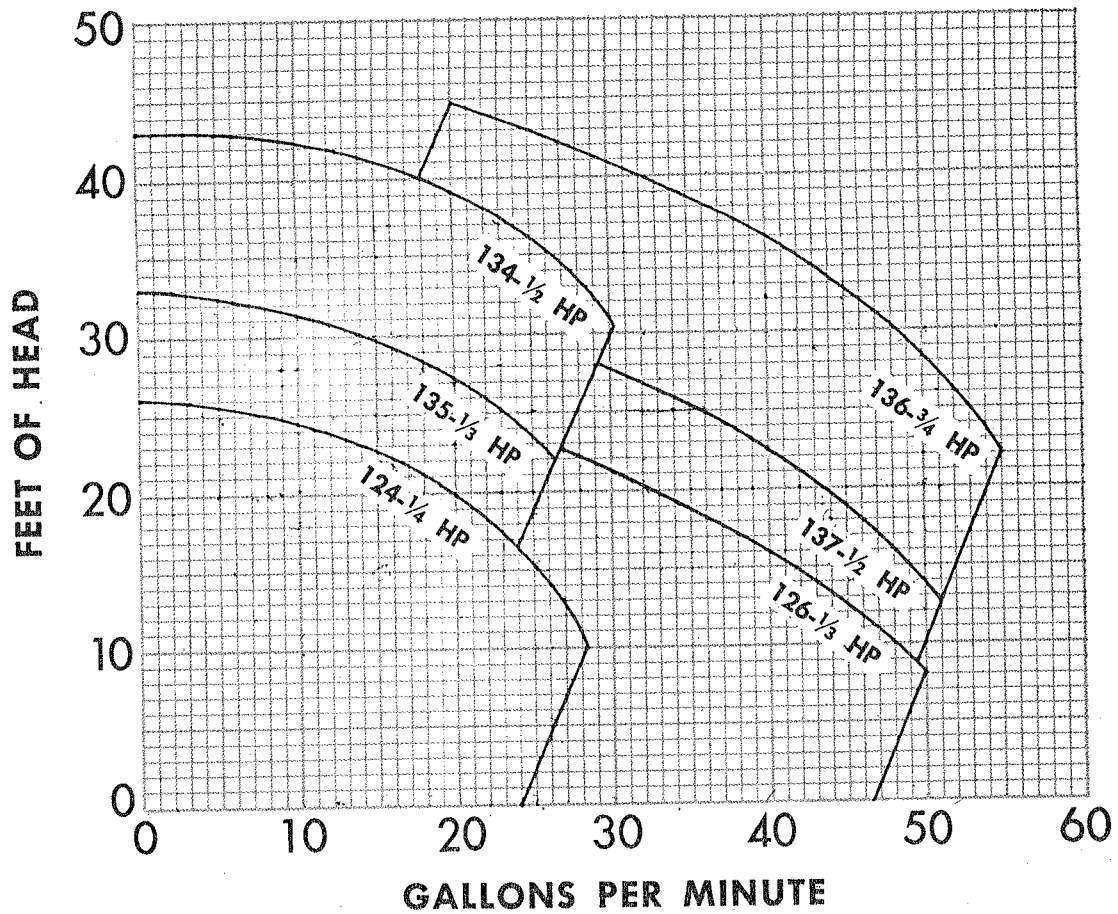
SIZES AND DIMENSIONS

MODEL NO.	SIZE CONN'S NPT	MOTOR				DIMENSIONS								APPR. WHT. LBS.
		HP	1 PHASE	3 PHASE	RPM	A	B	C	D	E	F	G	H	
124	1 1/4"	1/4	115V	208-220/440V	1750	19.2	16.8	12.0	4.8	5.0	1.5	3.75	.4	50
126	1 1/2"	1/3	115V	208-220/440V	1750	19.3	16.8	12.0	4.8	5.0	1.5	3.75	.4	56
134	1 1/4"	1/2	115/230V	208-220/440V	1750	20.5	18.1	14.0	5.7	5.0	1.5	3.75	.4	57
135	1 1/4"	1/3	115V	208-220/440V	1750	19.6	17.2	14.0	5.7	5.0	1.5	3.75	.4	54
136	1 1/2"	3/4	115/230V	208-220/440V	1750	21.1	18.5	14.0	5.7	5.0	1.5	3.75	.4	63
137	1 1/2"	1/2	115/230V	208-220/440V	1750	20.6	18.0	14.0	5.7	5.0	1.5	3.75	.4	59



# TACO HIGH HEAD SERIES CIRCULATORS — 1750 R P M

*Ref*



1. Motor
2. Drive Coupling (Rubber)
3. Thrust Collar (Hardened Steel)
4. Mechanical Seal (Carbon & Ceramic)
5. Body or Casing (C. I. or Bronze)
6. Impeller (C. I. or Bronze)
7. Slinger Rings
8. Bracket (C. I.)
9. Shaft (Stainless Steel)



## TACO HEATERS INCORPORATED

GENERAL OFFICE AND PLANT

1160 CRANSTON STREET • CRANSTON 9, R. I.

CORPORATE OFFICE: 342 Madison Ave., New York 17, N. Y. • IN CANADA: Taco Heaters of Canada, Ltd., 4 Gilead Place, Toronto 2

