



# Submittal Data Information VI Series Pumps

301-1001

EFFECTIVE: JULY 1, 1993

SUPERSEDES: NEW

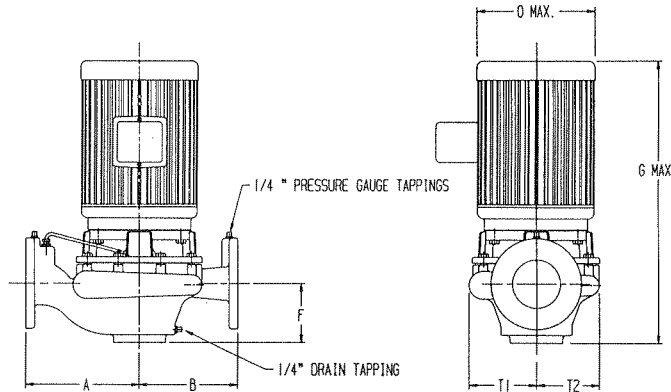
1160 RPM MODEL 2007

JOB \_\_\_\_\_

ENGINEER \_\_\_\_\_

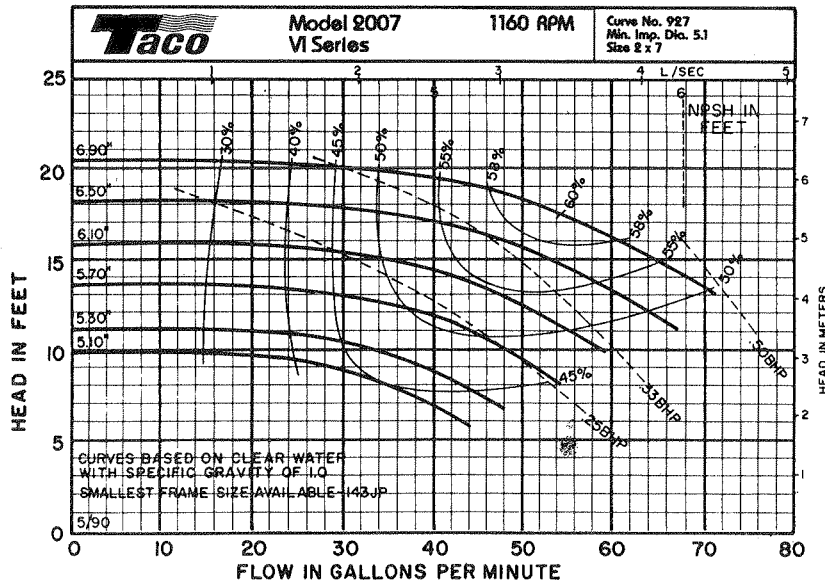
CONTRACTOR \_\_\_\_\_ REP. \_\_\_\_\_

ITEM NO.	MODEL NO.	IMPELLER DIA.	G.P.M.	HEAD/FT.	H.P.	ELEC. CHARS.
----------	-----------	---------------	--------	----------	------	--------------



50 Cycle Performance Curves attached when applicable.

Model No.	Conn.	HP 1160 RPM	HP 1760 RPM	HP 3500 RPM	Motor Frame	A	B	F	G Max.	O Max.	T1	T2
2007	2	1/2	1 1-1/2 2	3 5 7-1/2 10 15	143	7-9/32	6-3/32	3-15/16	17-3/4	7-5/16	5-9/16	5-1/8
					19							
					21-13/16				9-9/16			
					23-13/16				11-1/4			
					25-5/16				13-3/8			
					29-3/16							



WEIGHT \_\_\_\_\_ PUMP/MOTOR

Item	BRONZE FITTED		ALL IRON	
	Std. Pump Constr.	Optional	Standard	Optional
Casing	Cast Iron ASTM A48 Cl. 35		Cast Iron ASTM A48 Cl. 35	
Impeller	Bronze ASTM B30-4A		Cast Iron ASTM A48 Cl. 35	
Wear Ring	Bronze ASTM B30-4A		Bronze ASTM B30-4A	
Shaft	Carbon Steel AISI 1045	St. Steel AISI 416	Carbon Steel AISI 1045	St. Steel AISI 416
Shaft Sleeve	Bronze SAE 660	St. Steel AISI 416	St. Steel AISI 416	
Mech. Seal	Ceramic	Tungsten Carbide	Ceramic	Tungsten Carbide
Seal Flush Line	Copper		Copper	

OPERATING SPECIFICATIONS		
	Standard	Optional
Pressure	175 PSIG*	
Temperature: Mechanical Seal	250F	300F

Motors: All NEMA Standard (JM)  
\* In accordance with ANSI Standard B16.1 Class 125

ADDITIONAL OPTIONS	
Filters	Cuno 5 Micron
Separators	Kynar Cyclone Separator

COMMENTS: \_\_\_\_\_

TACO, INC., 1160 Cranston Street, Cranston, RI 02920 (401) 942-8000 FAX: (401) 942-2360.

TACO (Canada), Ltd., 1310 Almc0 Blvd., Mississauga, Ontario L4W1B2. Telephone: 416/625-2160. FAX: 416/625-8616.

Printed in USA  
Copyright 1993  
TACO, INC.



# Submittal Data Information VI Series Pumps

301-1002

EFFECTIVE: JULY 1, 1993

SUPERSEDES: NEW

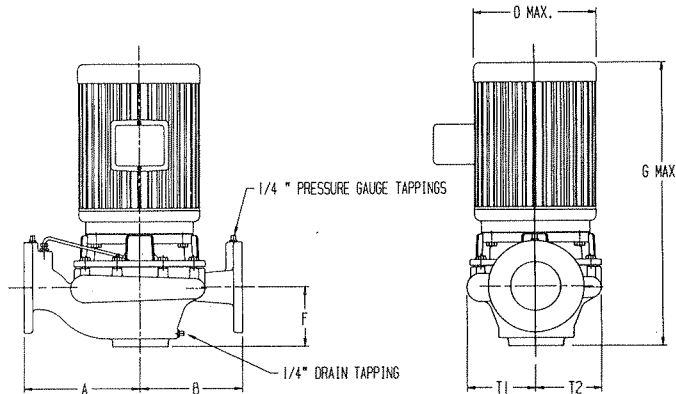
1160 RPM MODEL 2008

JOB \_\_\_\_\_

ENGINEER \_\_\_\_\_

CONTRACTOR \_\_\_\_\_ REP. \_\_\_\_\_

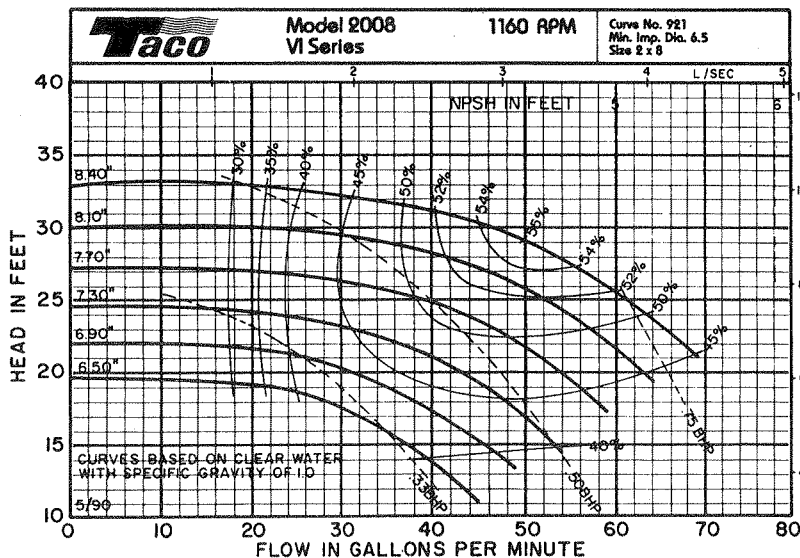
ITEM NO.	MODEL NO.	IMPELLER DIA.	G.P.M.	HEAD/FT.	H.P.	ELEC. CHARS.
----------	-----------	---------------	--------	----------	------	--------------



50 Cycle Performance Curves attached when applicable.

\*ODP MOTOR W/DRIP COVER

Model No.	Conn.	HP 1160 RPM	HP 1760 RPM	HP 3500 RPM	Motor Frame	A	B	F	G Max.	O Max.	T1	T2
2008	2	1/2	1 1-1/2 2 3	7-1/2	143	7-11/16	6-7/8	3-15/16	17-3/4	7-5/16	6-1/8	5-3/4
		3/4			143							
		1			145							
					145							
					182							
					213							
					215							
					254							
					256							
									19			
		21-13/16	9-9/16									
		23-13/16	11-1/4									
		25-5/16										
		29-3/16	13-3/8									
		30-15/16										



WEIGHT \_\_\_\_\_ PUMP/MOTOR

Item	BRONZE FITTED		ALL IRON	
	Std. Pump Constr.	Optional	Standard	Optional
Casing	Cast Iron ASTM A48 Cl. 35		Cast Iron ASTM A48 Cl. 35	
Impeller	Bronze ASTM B30-4A		Cast Iron ASTM A48 Cl. 35	
Wear Ring	Bronze ASTM B30-4A		Bronze ASTM B30-4A	
Shaft	Carbon Steel AISI 1045	St. Steel AISI 416	Carbon Steel AISI 1045	St. Steel AISI 416
Shaft Sleeve	Bronze SAE 660	St. Steel AISI 416	St. Steel AISI 416	
Mech. Seal	Ceramic	Tungsten Carbide	Ceramic	Tungsten Carbide
Seal Flush Line	Copper		Copper	

OPERATING SPECIFICATIONS		
	Standard	Optional
Pressure	175 PSIG*	
Temperature: Mechanical Seal	250F	300F

Motors: All NEMA Standard (JM)  
\* In accordance with ANSI Standard B16.1 Class 125

ADDITIONAL OPTIONS	
Filters	Cuno 5 Micron
Separators	Kynar Cyclone Separator

COMMENTS: \_\_\_\_\_

TACO, INC., 1160 Cranston Street, Cranston, RI 02920 (401) 942-8000 FAX: (401) 942-2360.

TACO (Canada), Ltd., 1310 Aimco Blvd., Mississauga, Ontario L4W1B2. Telephone: 416/625-2160. FAX: 416/625-8616.

Printed in USA  
Copyright 1993  
TACO, INC.



# Submittal Data Information

## VI Series Pumps

301-1003

EFFECTIVE: JULY 1, 1993

SUPERSEDES: NEW

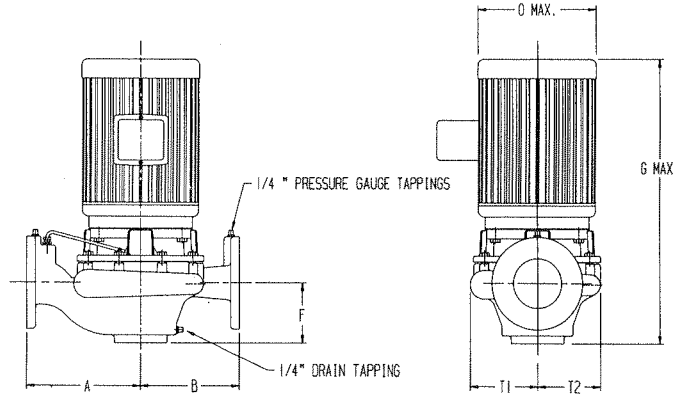
1160 RPM MODEL 2507

JOB \_\_\_\_\_

ENGINEER \_\_\_\_\_

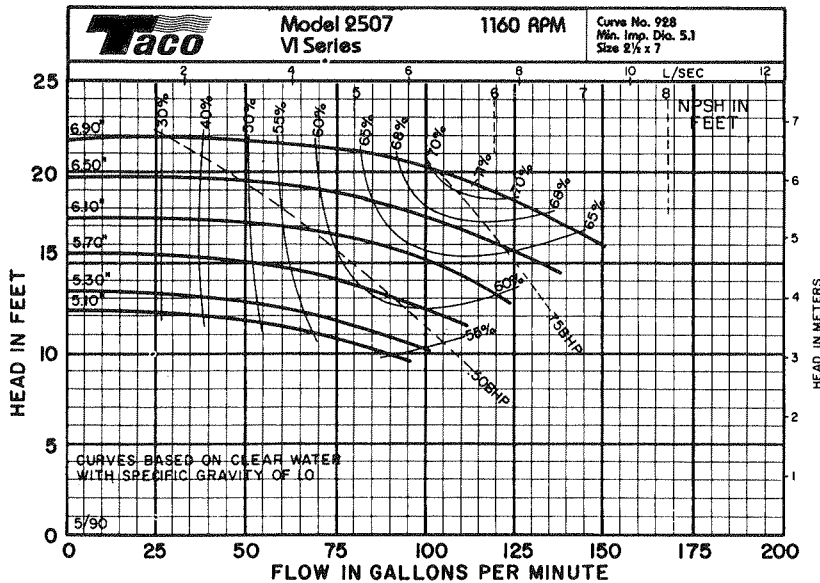
CONTRACTOR \_\_\_\_\_ REP. \_\_\_\_\_

ITEM NO.	MODEL NO.	IMPELLER DIA.	G.P.M.	HEAD/FT.	H.P.	ELEC. CHARS.
----------	-----------	---------------	--------	----------	------	--------------



50 Cycle Performance Curves attached when applicable.

Model No.	Conn.	HP 1160 RPM	HP 1760 RPM	HP 3500 RPM	Motor Frame	A	B	F	G Max.	O Max.	T1	T2			
2507	2-1/2	1/2 3/4 1	1-1/2 2 3 5	7-1/2	143	7-11/16	6-7/8	4-1/8	17-15/16	7-5/16	6	5-5/16			
					143				19-3/16						
					145				22						
		145												24	11-1/4
		182												25-1/2	13-3/8
		184												29-3/8	13-3/8
		213												31-1/8	13-3/8
		215												31-5/8	13-3/8
		254													
		256													
		284													



Item	BRONZE FITTED		ALL IRON	
	Std. Pump Constr.	Optional	Standard	Optional
Casing	Cast Iron ASTM A48 Cl. 35		Cast Iron ASTM A48 Cl. 35	
Impeller	Bronze ASTM B30-4A		Cast Iron ASTM A48 Cl. 35	
Wear Ring	Bronze ASTM B30-4A		Bronze ASTM B30-4A	
Shaft	Carbon Steel AISI 1045	St. Steel AISI 416	Carbon Steel AISI 1045	St. Steel AISI 416
Shaft Sleeve	Bronze SAE 660	St. Steel AISI 416	St. Steel AISI 416	
Mech. Seal	Ceramic	Tungsten Carbide	Ceramic	Tungsten Carbide
Seal Flush Line	Copper		Copper	

OPERATING SPECIFICATIONS		
	Standard	Optional
Pressure	175 PSIG*	
Temperature: Mechanical Seal	250F	300F

Motors: All NEMA Standard (JM)  
 \* In accordance with ANSI Standard B16.1 Class 125

ADDITIONAL OPTIONS	
Filters	Cuno 5 Micron
Separators	Kynar Cyclone Separator

COMMENTS: \_\_\_\_\_

TACO, INC., 1160 Cranston Street, Cranston, RI 02920 (401) 942-8000 FAX: (401) 942-2360.

TACO (Canada), Ltd., 1310 Aimco Blvd., Mississauga, Ontario L4W1B2. Telephone: 416/625-2160. FAX: 416/625-8616.

Printed in USA  
 Copyright 1993  
 TACO, INC.



# Submittal Data Information

## VI Series Pumps

301-1004

EFFECTIVE: JULY 1, 1993

SUPERSEDES: NEW

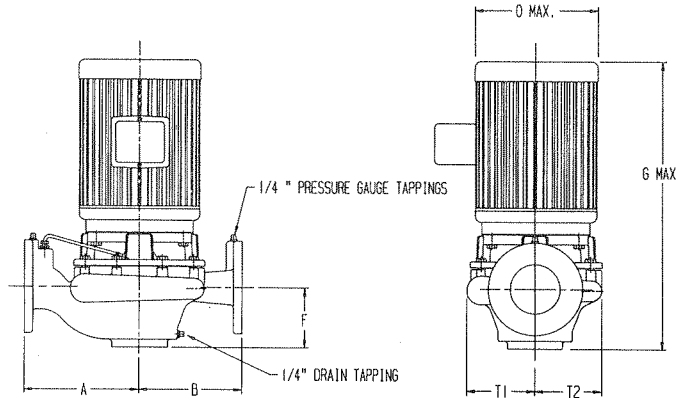
1160 RPM MODEL 2508

JOB \_\_\_\_\_

ENGINEER \_\_\_\_\_

CONTRACTOR \_\_\_\_\_ REP. \_\_\_\_\_

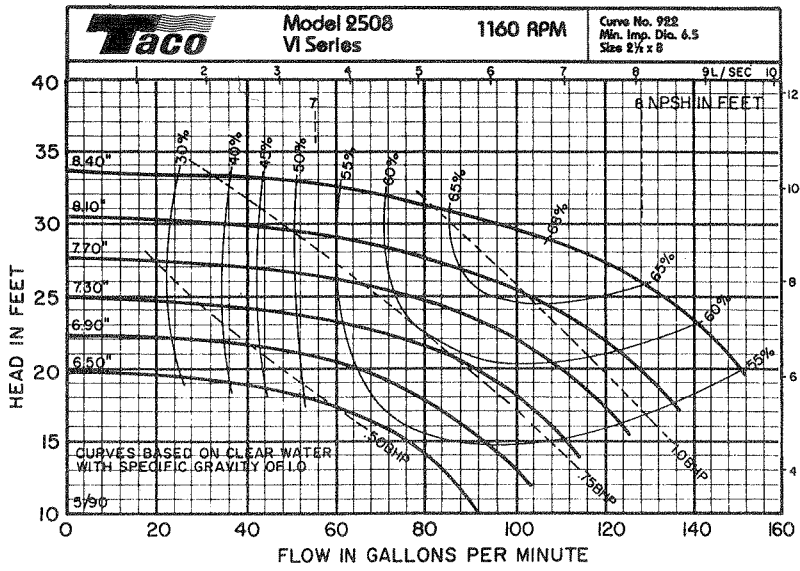
ITEM NO.	MODEL NO.	IMPELLER DIA.	G.P.M.	HEAD/FT.	H.P.	ELEC. CHARS.
----------	-----------	---------------	--------	----------	------	--------------



50 Cycle Performance Curves attached when applicable.

\*ODP MOTOR W/DRIP COVER

Model No.	Conn.	HP 1160 RPM	HP 1760 RPM	HP 3500 RPM	Motor Frame	A	B	F	G Max.	O Max.	T1	T2
2508	2-1/2	1/2			143	8-1/4	7-11/16	4-1/8	17-15/16	7-5/16	6-9/16	6
		3/4			143							
		1			145							
			2		145							
			3		182							
			5		184							
				10	215							
				15	254							
				20	256							
				25	284							
				30	286							
				40	286*							
								19-3/16	7-5/16			
								22	9-9/16			
								25-1/2	11-1/4			
								29-3/8	13-3/8			
								31-1/8				
								31-5/8				
								33-1/8				
								33-1/8	14			



Item	BRONZE FITTED		ALL IRON	
	Std. Pump Constr.	Optional	Standard	Optional
Casing	Cast Iron ASTM A48 Cl. 35		Cast Iron ASTM A48 Cl. 35	
Impeller	Bronze ASTM B30-4A		Cast Iron ASTM A48 Cl. 35	
Wear Ring	Bronze ASTM B30-4A		Bronze ASTM B30-4A	
Shaft	Carbon Steel AISI 1045	St. Steel AISI 416	Carbon Steel AISI 1045	St. Steel AISI 416
Shaft Sleeve	Bronze SAE 660	St. Steel AISI 416	St. Steel AISI 416	
Mech. Seal	Ceramic	Tungsten Carbide	Ceramic	Tungsten Carbide
Seal Flush Line	Copper		Copper	

OPERATING SPECIFICATIONS		
	Standard	Optional
Pressure	175 PSIG*	
Temperature: Mechanical Seal	250F	300F

Motors: All NEMA Standard (JM)  
\* In accordance with ANSI Standard B16.1 Class 125

ADDITIONAL OPTIONS	
Filters	Cuno 5 Micron
Separators	Kynar Cyclone Separator

WEIGHT \_\_\_\_\_ PUMP/MOTOR

COMMENTS: \_\_\_\_\_



# Submittal Data Information VI Series Pumps

301-1005

EFFECTIVE: JULY 1, 1993

SUPERSEDES: NEW

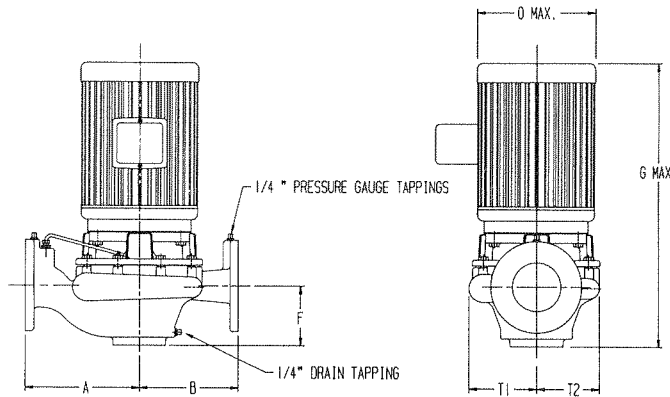
1160 RPM MODEL 2510

JOB \_\_\_\_\_

ENGINEER \_\_\_\_\_

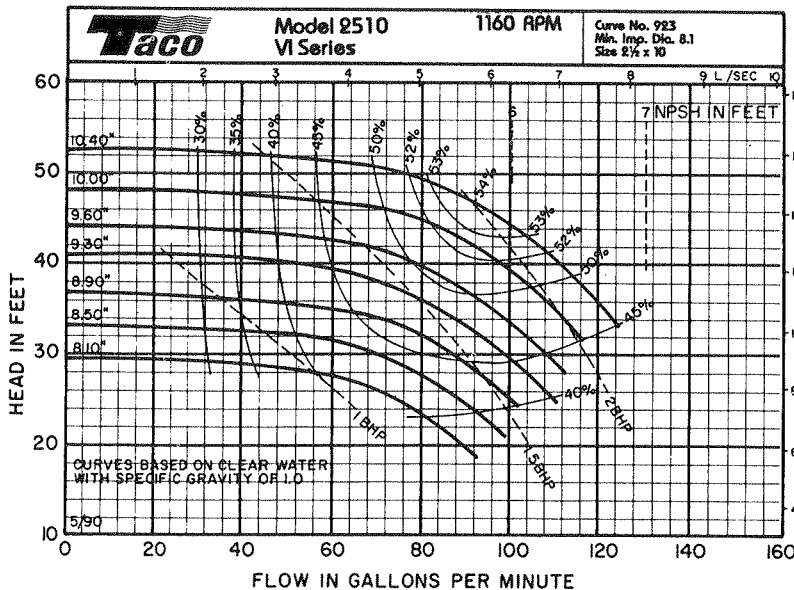
CONTRACTOR \_\_\_\_\_ REP. \_\_\_\_\_

ITEM NO.	MODEL NO.	IMPELLER DIA.	G.P.M.	HEAD/FT.	H.P.	ELEC. CHARS.
----------	-----------	---------------	--------	----------	------	--------------



50 Cycle Performance Curves attached when applicable.

Model No.	Conn.	HP 1160 RPM	HP 1760 RPM	HP 3500 RPM	Motor Frame	A	B	F	G Max.	O Max.	T1	T2
2510	2-1/2	1			145	9-21/32	8-21/32	4-1/8	17-3/4	7-5/16	7-5/16	6-11/16
		1-1/2	3		182				21-13/16	9-9/16		
		2	5		184							
		3	7-1/2		213				24	11-1/4		
		10			215				25-1/2			



Item	BRONZE FITTED		ALL IRON	
	Std. Pump Constr.	Optional	Standard	Optional
Casing	Cast Iron ASTM A48 Cl. 35		Cast Iron ASTM A48 Cl. 35	
Impeller	Bronze ASTM B30-4A		Cast Iron ASTM A48 Cl. 35	
Wear Ring	Bronze ASTM B30-4A		Bronze ASTM B30-4A	
Shaft	Carbon Steel AISI 1045	St. Steel AISI 416	Carbon Steel AISI 1045	St. Steel AISI 416
Shaft Sleeve	Bronze SAE 660	St. Steel AISI 416	St. Steel AISI 416	
Mech. Seal	Ceramic	Tungsten Carbide	Ceramic	Tungsten Carbide
Seal Flush Line	Copper		Copper	

OPERATING SPECIFICATIONS		
	Standard	Optional
Pressure	175 PSIG*	
Temperature: Mechanical Seal	250F	300F

Motors: All NEMA Standard (JM)  
\* In accordance with ANSI Standard B16.1 Class 125

ADDITIONAL OPTIONS	
Filters	Cuno 5 Micron
Separators	Kynar Cyclone Separator

WEIGHT \_\_\_\_\_ PUMP/MOTOR

COMMENTS: \_\_\_\_\_

TACO, INC., 1160 Cranston Street, Cranston, RI 02920 (401) 942-8000 FAX: (401) 942-2360.

TACO (Canada), Ltd., 1310 Almcò Blvd., Mississauga, Ontario L4W1B2. Telephone: 416/625-2160. FAX: 416/625-8616.

Printed in USA  
Copyright 1993  
TACO, INC.



# Submittal Data Information VI Series Pumps

301-1006

EFFECTIVE: JULY 1, 1993

SUPERSEDES: NEW

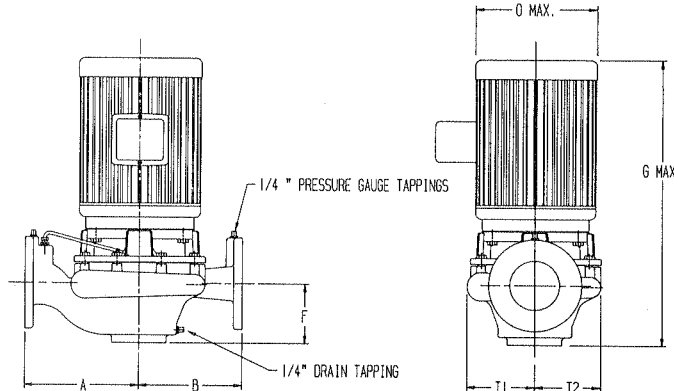
1160 RPM MODEL 3007

JOB \_\_\_\_\_

ENGINEER \_\_\_\_\_

CONTRACTOR \_\_\_\_\_ REP. \_\_\_\_\_

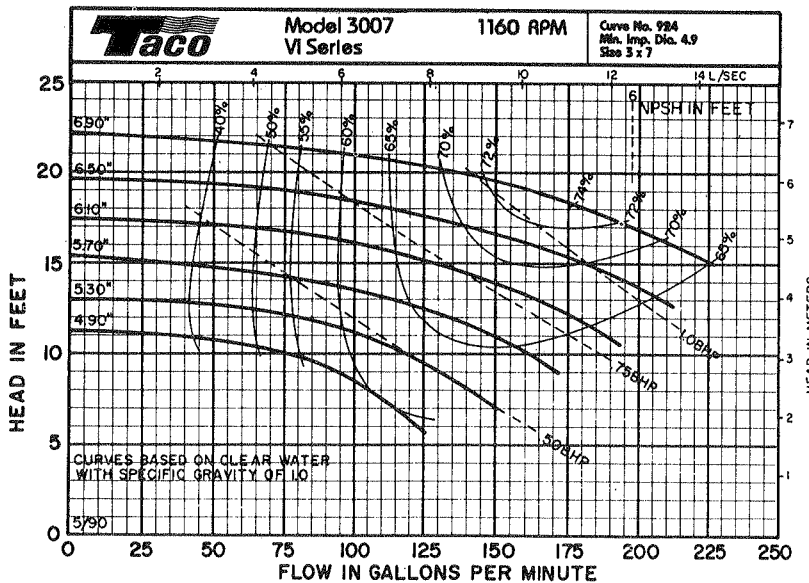
ITEM NO.	MODEL NO.	IMPELLER DIA.	G.P.M.	HEAD/FT.	H.P.	ELEC. CHARS.
----------	-----------	---------------	--------	----------	------	--------------



50 Cycle Performance Curves attached when applicable.

\*ODP MOTOR W/DRIP COVER

Model No.	Conn.	HP 1160 RPM	HP 1760 RPM	HP 3500 RPM	Motor Frame	A	B	F	G Max.	O Max.	T1	T2			
3007	3	1/2	1-1/2		143	9-1/4	7-11/16	5-1/8	18-15/16	7-5/16	6-7/8	5-11/16			
		3/4			143				20-3/16						
		1			145				23				9-9/16		
		1-1/2			145				26-1/2				11-1/4		
					182									30-3/8	13-3/8
					184										
					215										
					254										
		256			34-1/8				14						
									30					286	
		40		286*											



Item	BRONZE FITTED		ALL IRON	
	Std. Pump Constr.	Optional	Standard	Optional
Casing	Cast Iron ASTM A48 Cl. 35		Cast Iron ASTM A48 Cl. 35	
Impeller	Bronze ASTM B30-4A		Cast Iron ASTM A48 Cl. 35	
Wear Ring	Bronze ASTM B30-4A		Bronze ASTM B30-4A	
Shaft	Carbon Steel AISI 1045	St. Steel AISI 416	Carbon Steel AISI 1045	St. Steel AISI 416
Shaft Sleeve	Bronze SAE 660	St. Steel AISI 416	St. Steel AISI 416	
Mech. Seal	Ceramic	Tungsten Carbide	Ceramic	Tungsten Carbide
Seal Flush Line	Copper		Copper	

OPERATING SPECIFICATIONS		
	Standard	Optional
Pressure	175 PSIG*	
Temperature: Mechanical Seal	250F	300F

Motors: All NEMA Standard (JM)  
\* In accordance with ANSI Standard B16.1 Class 125

ADDITIONAL OPTIONS	
Filters	Cuno 5 Micron
Separators	Kynar Cyclone Separator

COMMENTS: \_\_\_\_\_



# Submittal Data Information

## VI Series Pumps

301-1007

EFFECTIVE: JULY 1, 1993

SUPERSEDES: NEW

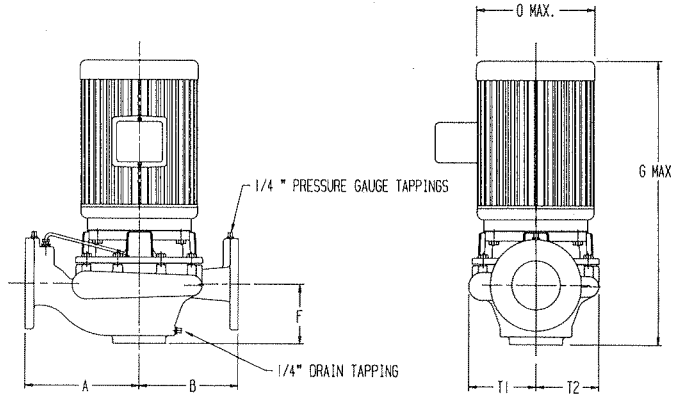
1160 RPM MODEL 3008

JOB \_\_\_\_\_

ENGINEER \_\_\_\_\_

CONTRACTOR \_\_\_\_\_ REP. \_\_\_\_\_

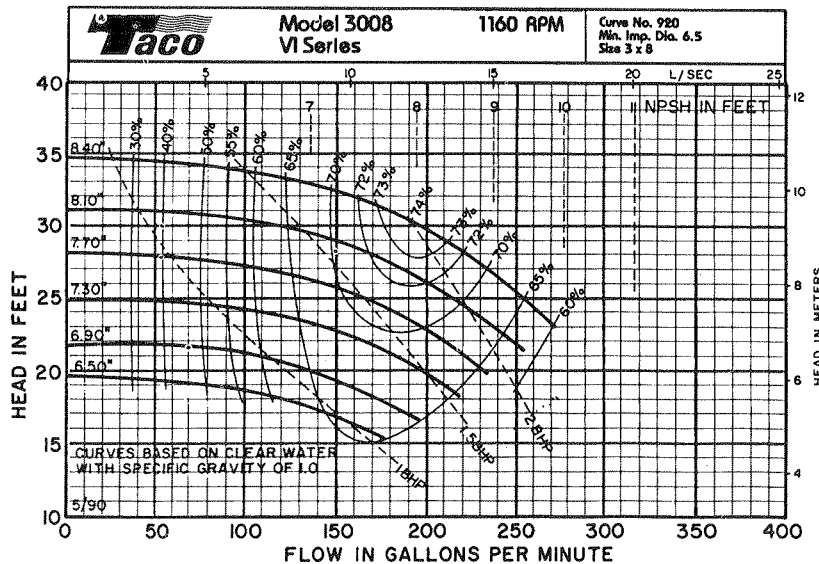
ITEM NO.	MODEL NO.	IMPELLER DIA.	G.P.M.	HEAD/FT.	H.P.	ELEC. CHARS.
----------	-----------	---------------	--------	----------	------	--------------



50 Cycle Performance Curves attached when applicable.

\*ODP MOTOR W/DRIP COVER

Model No.	Conn.	HP 1160 RPM	HP 1760 RPM	HP 3500 RPM	Motor Frame	A	B	F	G Max.	O Max.	T1	T2
3008	3	1			145	9-13/16	8-11/16	5-1/8	18-15/16	7-5/16	7-3/16	6-3/8
		1-1/2	3		182				23	9-9/16		
		2	5		184							
		3	7-1/2		213				25	11-1/4		
			10		215				26-1/2			
					284				32-5/8	13-3/8		
					30				34-1/8			
					40				34-1/8	14		
					50				34-15/16	16		
					60				36-7/16			



Item	BRONZE FITTED		ALL IRON	
	Std. Pump Constr.	Optional	Standard	Optional
Casing	Cast Iron ASTM A48 Cl. 35		Cast Iron ASTM A48 Cl. 35	
Impeller	Bronze ASTM B30-4A		Cast Iron ASTM A48 Cl. 35	
Wear Ring	Bronze ASTM B30-4A		Bronze ASTM B30-4A	
Shaft	Carbon Steel AISI 1045	St. Steel AISI 416	Carbon Steel AISI 1045	St. Steel AISI 416
Shaft Sleeve	Bronze SAE 660	St. Steel AISI 416	St. Steel AISI 416	
Mech. Seal	Ceramic	Tungsten Carbide	Ceramic	Tungsten Carbide
Seal Flush Line	Copper		Copper	

OPERATING SPECIFICATIONS		
	Standard	Optional
Pressure	175 PSIG*	
Temperature: Mechanical Seal	250F	300F

Motors: All NEMA Standard (JM)  
\* In accordance with ANSI Standard B16.1 Class 125

ADDITIONAL OPTIONS	
Filters	Cuno 5 Micron
Separators	Kynar Cyclone Separator

WEIGHT \_\_\_\_\_ PUMP/MOTOR

COMMENTS: \_\_\_\_\_

TACO, INC., 1160 Cranston Street, Cranston, RI 02920 (401) 942-8000 FAX: (401) 942-2360.

TACO (Canada), Ltd., 1310 Almco Blvd., Mississauga, Ontario L4W1B2. Telephone: 416/625-2160. FAX: 416/625-8616.

Printed in USA  
Copyright 1993  
TACO, INC.



# Submittal Data Information VI Series Pumps

301-1008

EFFECTIVE: JULY 1, 1993

SUPERSEDES: NEW

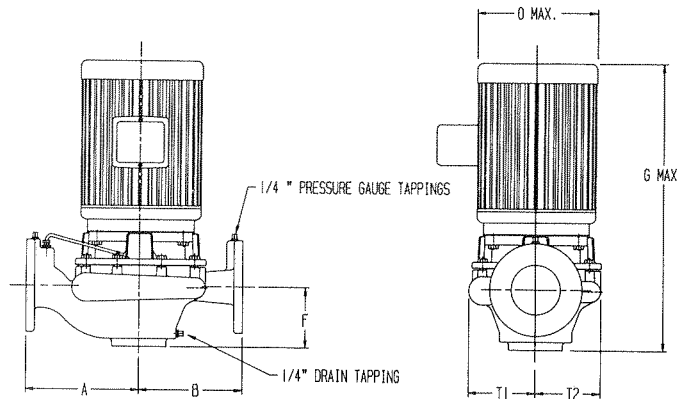
1160 RPM MODEL 3010

JOB \_\_\_\_\_

ENGINEER \_\_\_\_\_

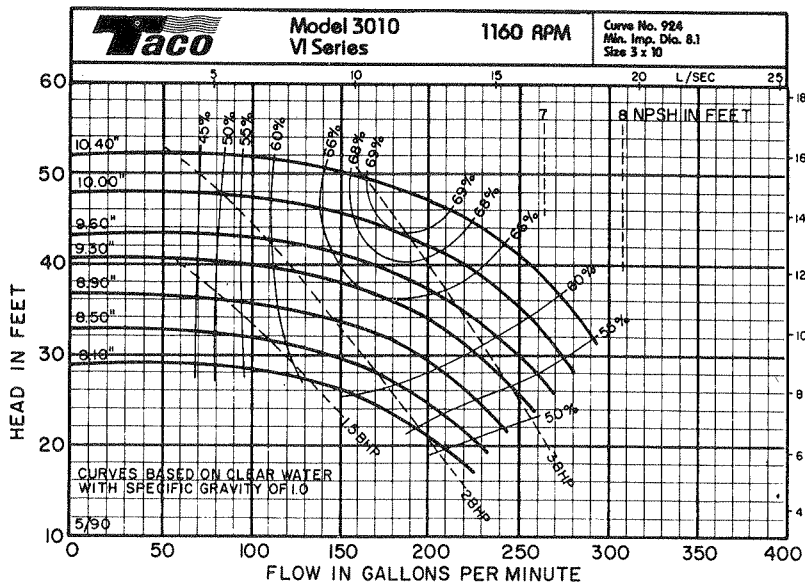
CONTRACTOR \_\_\_\_\_ REP. \_\_\_\_\_

ITEM NO.	MODEL NO.	IMPELLER DIA.	G.P.M.	HEAD/FT.	H.P.	ELEC. CHARS.
----------	-----------	---------------	--------	----------	------	--------------



50 Cycle Performance Curves attached when applicable.

Model No.	Conn.	HP 1160 RPM	HP 1760 RPM	HP 3500 RPM	Motor Frame	A	B	F	G Max.	O Max.	T1	T2
3010	3	1-1/2			182	10-5/8	9-5/8	5-1/8	23	9-9/16	7-11/16	6-7/8
		2			184				25			
		3	7-1/2		213				26-1/2	11-1/4		
		5	10		215				30-3/8	13-3/8		
			15		254				32-1/8			
		20			256							



WEIGHT \_\_\_\_\_ PUMP/MOTOR

Item	BRONZE FITTED		ALL IRON	
	Std. Pump Constr.	Optional	Standard	Optional
Casing	Cast Iron ASTM A48 Cl. 35		Cast Iron ASTM A48 Cl. 35	
Impeller	Bronze ASTM B30-4A		Cast Iron ASTM A48 Cl. 35	
Wear Ring	Bronze ASTM B30-4A		Bronze ASTM B30-4A	
Shaft	Carbon Steel AISI 1045	St. Steel AISI 416	Carbon Steel AISI 1045	St. Steel AISI 416
Shaft Sleeve	Bronze SAE 660	St. Steel AISI 416	St. Steel AISI 416	
Mech. Seal	Ceramic	Tungsten Carbide	Ceramic	Tungsten Carbide
Seal Flush Line	Copper		Copper	

OPERATING SPECIFICATIONS		
	Standard	Optional
Pressure	175 PSIG*	
Temperature: Mechanical Seal	250F	300F

Motors: All NEMA Standard (JM)  
\* In accordance with ANSI Standard B16.1 Class 125

ADDITIONAL OPTIONS	
Filters	Cuno 5 Micron
Separators	Kynar Cyclone Separator

COMMENTS: \_\_\_\_\_

TACO, INC., 1160 Cranston Street, Cranston, RI 02920 (401) 942-8000 FAX: (401) 942-2360.

TACO (Canada), Ltd., 1310 Almco Blvd., Mississauga, Ontario L4W1B2. Telephone: 416/625-2160. FAX: 416/625-8616.

Printed in USA  
Copyright 1993  
TACO, INC.





# Submittal Data Information VI Series Pumps

301-1009

EFFECTIVE: JULY 1, 1993

SUPERSEDES: NEW

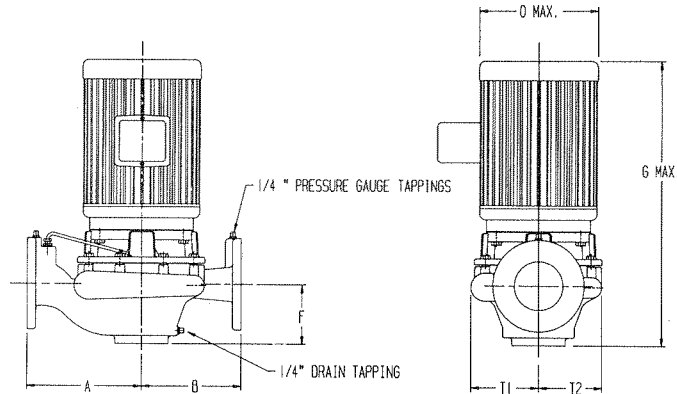
1160 RPM MODEL 4007

JOB \_\_\_\_\_

ENGINEER \_\_\_\_\_

CONTRACTOR \_\_\_\_\_ REP. \_\_\_\_\_

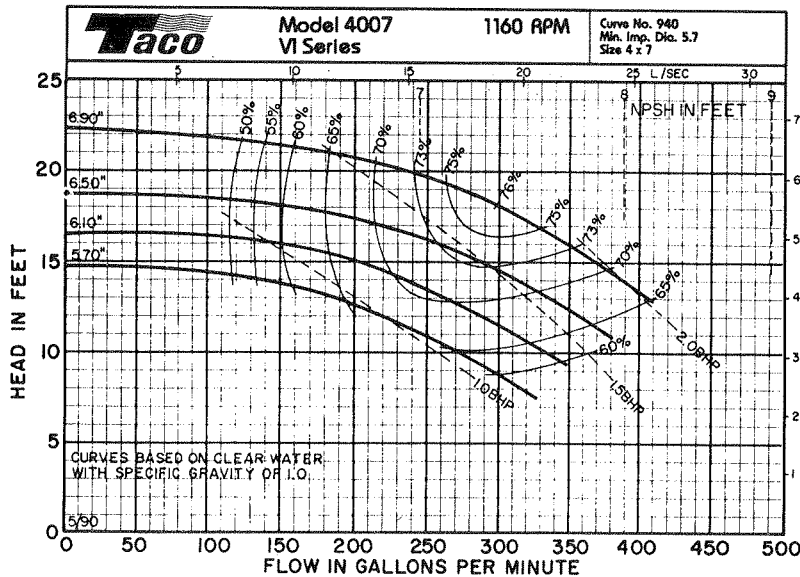
ITEM NO.	MODEL NO.	IMPELLER DIA.	G.P.M.	HEAD/FT.	H.P.	ELEC. CHARS.
----------	-----------	---------------	--------	----------	------	--------------



50 Cycle Performance Curves attached when applicable.

\*ODP MOTOR W/DRIP COVER

Model No.	Conn.	HP 1160 RPM	HP 1760 RPM	HP 3500 RPM	Motor Frame	A	B	F	G Max.	O Max.	T1	T2						
4007	4	1	3		145	10-7/16	8-11/16	5-29/32	19-23/32	7-5/16	7-1/4	5-7/8						
		1-1/2			182				23-25/32	9-9/16								
		2			184				25-25/32	11-1/4								
					5				213	20	256	25	284	32-15/16	13-3/8			
					7-1/2				286	25	284	30	286	33-7/16				
									286*	40	286*	30	286	34-15/16				
									324*	50	324*	40	286*	34-15/16	14			
									326*	60	326*	50	324*	35-3/4	16			
												60	326*	37-1/4				



Item	BRONZE FITTED		ALL IRON	
	Std. Pump Constr.	Optional	Standard	Optional
Casing	Cast Iron ASTM A48 Cl. 35		Cast Iron ASTM A48 Cl. 35	
Impeller	Bronze ASTM B30-4A		Cast Iron ASTM A48 Cl. 35	
Wear Ring	Bronze ASTM B30-4A		Bronze ASTM B30-4A	
Shaft	Carbon Steel AISI 1045	St. Steel AISI 416	Carbon Steel ASTM A48	St. Steel AISI 416
Shaft Sleeve	Bronze SAE 660	St. Steel AISI 416	St. Steel AISI 416	
Mech. Seal	Ceramic	Tungsten Carbide	Ceramic	Tungsten Carbide
Seal Flush Line	Copper		Copper	

OPERATING SPECIFICATIONS		
	Standard	Optional
Pressure	175 PSIG*	
Temperature: Mechanical Seal	250F	300F

Motors: All NEMA Standard (JM)  
\* In accordance with ANSI Standard B16.1 Class 125

ADDITIONAL OPTIONS	
Filters	Cuno 5 Micron
Separators	Kynar Cyclone Separator

WEIGHT \_\_\_\_\_ PUMP/MOTOR

COMMENTS: \_\_\_\_\_

TACO, INC., 1160 Cranston Street, Cranston, RI 02920 (401) 942-8000 FAX: (401) 942-2360.

TACO (Canada), Ltd., 1310 Alimco Blvd., Mississauga, Ontario L4W1B2. Telephone: 416/625-2160. FAX: 416/625-8616.

Printed in USA  
Copyright 1993  
TACO, INC.



# Submittal Data Information VI Series Pumps

301-1011

EFFECTIVE: JULY 1, 1993

SUPERSEDES: NEW

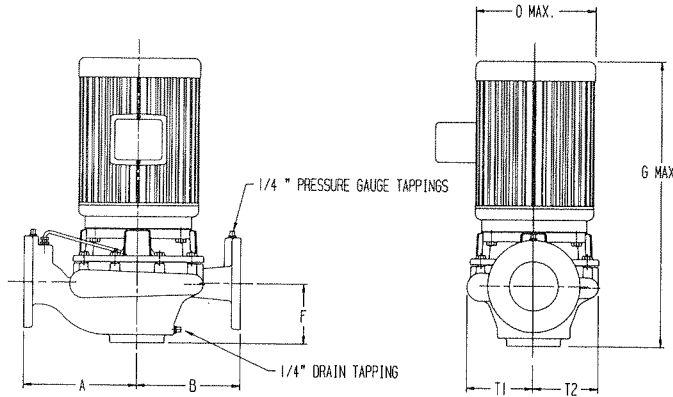
1160 RPM MODEL 5008

JOB \_\_\_\_\_

ENGINEER \_\_\_\_\_

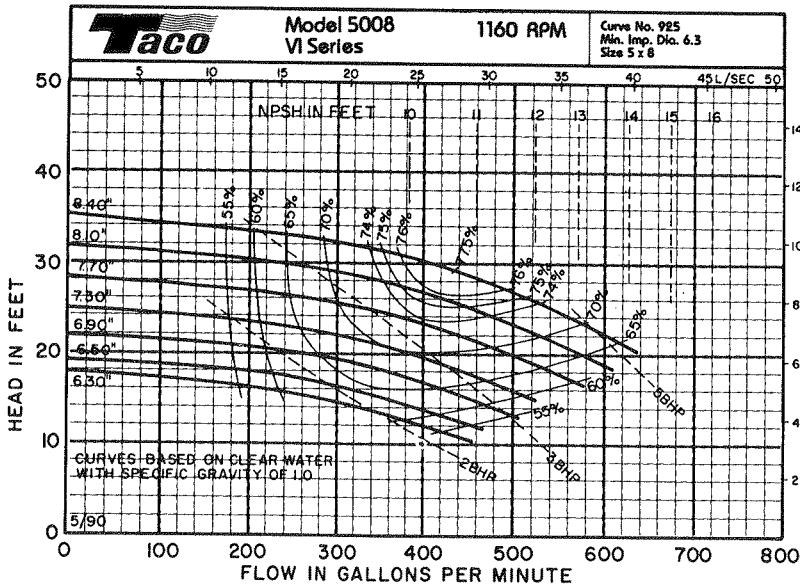
CONTRACTOR \_\_\_\_\_ REP. \_\_\_\_\_

ITEM NO.	MODEL NO.	IMPELLER DIA.	G.P.M.	HEAD/FT.	H.P.	ELEC. CHARS.
----------	-----------	---------------	--------	----------	------	--------------



50 Cycle Performance Curves attached when applicable.

Model No.	Conn.	HP 1160 RPM	HP 1760 RPM	HP 3500 RPM	Motor Frame	A	B	F	G Max.	O Max.	T1	T2
5008	5	3	7-1/2		213	13-5/32	10-13/16	6-21/32	26-31/32	11-1/4	8-1/2	6-3/4
		5	10		215				28-7/16			
		7-1/2	15		254				31-31/32	13-3/8		
		20		256	33-23/32							



Item	BRONZE FITTED		ALL IRON	
	Std. Pump Constr.	Optional	Standard	Optional
Casing	Cast Iron ASTM A48 Cl. 35		Cast Iron ASTM A48 Cl. 35	
Impeller	Bronze ASTM B30-4A		Cast Iron ASTM A48 Cl. 35	
Wear Ring	Bronze ASTM B30-4A		Bronze ASTM B30-4A	
Shaft	Carbon Steel AISI 1045	St. Steel AISI 416	Carbon Steel AISI 1045	St. Steel AISI 416
Shaft Sleeve	Bronze SAE 660	St. Steel AISI 416	St. Steel AISI 416	
Mech. Seal	Ceramic	Tungsten Carbide	Ceramic	Tungsten Carbide
Seal Flush Line	Copper		Copper	

OPERATING SPECIFICATIONS		
	Standard	Optional
Pressure	175 PSIG*	
Temperature: Mechanical Seal	250F	300F

Motors: All NEMA Standard (JM)  
\* In accordance with ANSI Standard B16.1 Class 125

ADDITIONAL OPTIONS	
Filters	Cuno 5 Micron
Separators	Kynar Cyclone Separator

COMMENTS: \_\_\_\_\_

TACO, INC., 1160 Cranston Street, Cranston, RI 02920 (401) 942-8000 FAX: (401) 942-2360.

TACO (Canada), Ltd., 1310 Almco Blvd., Mississauga, Ontario L4W1B2. Telephone: 416/625-2160. FAX: 416/625-8616.

Printed in USA  
Copyright 1993  
TACO, INC.



# Submittal Data Information

## VI Series Pumps

301-1014

EFFECTIVE: JULY 1, 1993

SUPERSEDES: NEW

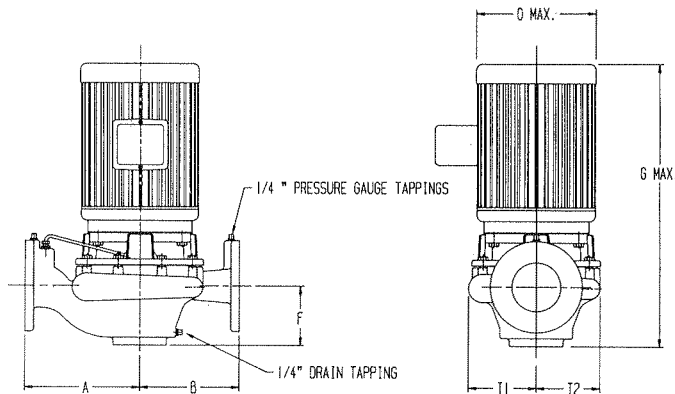
1760 RPM MODEL 1506

JOB \_\_\_\_\_

ENGINEER \_\_\_\_\_

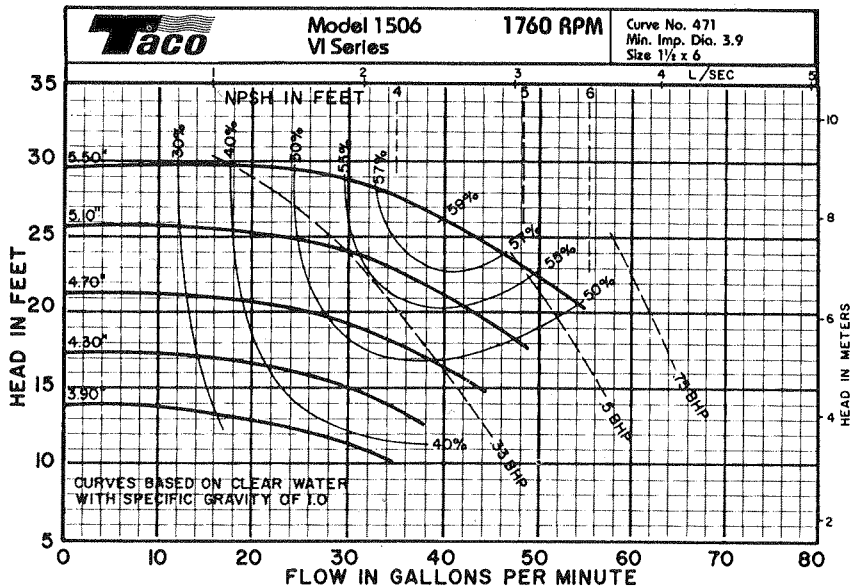
CONTRACTOR \_\_\_\_\_ REP. \_\_\_\_\_

ITEM NO.	MODEL NO.	IMPELLER DIA.	G.P.M.	HEAD/FT.	H.P.	ELEC. CHARS.
----------	-----------	---------------	--------	----------	------	--------------



50 Cycle Performance Curves attached when applicable.

Model No.	Conn.	HP 1160 RPM	HP 1760 RPM	HP 3500 RPM	Motor Frame	A	B	F	G Max.	O Max.	T1	T2
1506	1-1/2		1	1-1/2	143	6-3/32	5-5/16	3-3/4	17-9/16	7-5/16	4-11/16	4-1/4
				2	145				21-5/8	9-9/16		
				3	182							
				5	184							



WEIGHT \_\_\_\_\_ PUMP/MOTOR

Item	BRONZE FITTED		ALL IRON	
	Std. Pump Constr.	Optional	Standard	Optional
Casing	Cast Iron ASTM A48 Cl. 35		Cast Iron ASTM A48 Cl. 35	
Impeller	Bronze ASTM B30-4A		Cast Iron ASTM A48 Cl. 35	
Wear Ring	Bronze ASTM B30-4A		Bronze ASTM B30-4A	
Shaft	Carbon Steel AISI 1045	St. Steel AISI 416	Carbon Steel AISI 1045	St. Steel AISI 416
Shaft Sleeve	Bronze SAE 660	St. Steel AISI 416	St. Steel AISI 416	
Mech. Seal	Ceramic	Tungsten Carbide	Ceramic	Tungsten Carbide
Seal Flush Line	Copper		Copper	

OPERATING SPECIFICATIONS		
	Standard	Optional
Pressure	175 PSIG*	
Temperature: Mechanical Seal	250F	300F

Motors: All NEMA Standard (JM)  
\* In accordance with ANSI Standard B16.1 Class 125

ADDITIONAL OPTIONS	
Filters	Cuno 5 Micron
Separators	Kynar Cyclone Separator

COMMENTS: \_\_\_\_\_

TACO, INC., 1160 Cranston Street, Cranston, RI 02920 (401) 942-8000 FAX: (401) 942-2360.

TACO (Canada), Ltd., 1310 Almco Blvd., Mississauga, Ontario L4W1B2. Telephone: 416/625-2160. FAX: 416/625-8616.

Printed in USA  
Copyright 1993  
TACO, INC.



# Submittal Data Information VI Series Pumps

301-1015

EFFECTIVE: JULY 1, 1993

SUPERSEDES: NEW

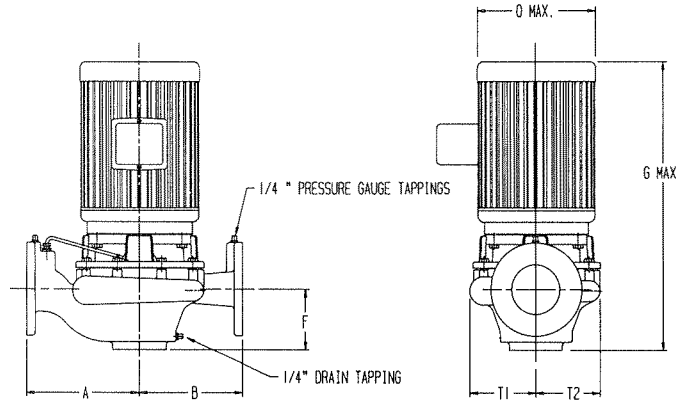
1760 RPM MODEL 1507

JOB \_\_\_\_\_

ENGINEER \_\_\_\_\_

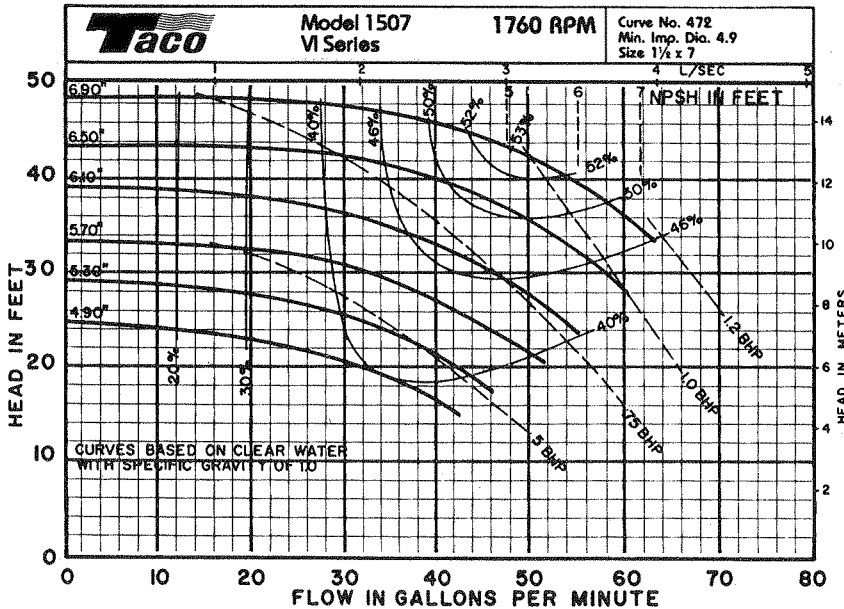
CONTRACTOR \_\_\_\_\_ REP. \_\_\_\_\_

ITEM NO.	MODEL NO.	IMPELLER DIA.	G.P.M.	HEAD/FT.	H.P.	ELEC. CHARS.
----------	-----------	---------------	--------	----------	------	--------------



50 Cycle Performance Curves attached when applicable.

Model No.	Conn.	HP 1160 RPM	HP 1760 RPM	HP 3500 RPM	Motor Frame	A	B	F	G Max.	O Max.	T1	T2
1507	1-1/2	1/2	1	1-1/2	143	6-7/8	6-3/32	3-3/4	17-9/16	7-5/16	5-5/16	5
					145				21-5/8	9-9/16		
					182				23-5/8	11-1/4		
					184				25-1/8			
					213							
215												



Item	BRONZE FITTED		ALL IRON	
	Std. Pump Constr.	Optional	Standard	Optional
Casing	Cast Iron ASTM A48 Cl. 35		Cast Iron ASTM A48 Cl. 35	
Impeller	Bronze ASTM B30-4A		Cast Iron ASTM A48 Cl. 35	
Wear Ring	Bronze ASTM B30-4A		Bronze ASTM B30-4A	
Shaft	Carbon Steel AISI 1045	St. Steel AISI 416	Carbon Steel AISI 1045	St. Steel AISI 416
Shaft Sleeve	Bronze SAE 660	St. Steel AISI 416	St. Steel AISI 416	
Mech. Seal	Ceramic	Tungsten Carbide	Ceramic	Tungsten Carbide
Seal Flush Line	Copper		Copper	

OPERATING SPECIFICATIONS		
	Standard	Optional
Pressure	175 PSIG*	
Temperature: Mechanical Seal	250F	300F

Motors: All NEMA Standard (JM)  
\* In accordance with ANSI Standard B16.1 Class 125

ADDITIONAL OPTIONS	
Filters	Cuno 5 Micron
Separators	Kynar Cyclone Separator

COMMENTS: \_\_\_\_\_

TACO, INC., 1160 Cranston Street, Cranston, RI 02920 (401) 942-8000 FAX: (401) 942-2360.

TACO (Canada), Ltd., 1310 Aimco Blvd., Mississauga, Ontario L4W1B2. Telephone: 416/625-2160. FAX: 416/625-8616.

Printed in USA  
Copyright 1993  
TACO, INC.



# Submittal Data Information

## VI Series Pumps

301-1016

EFFECTIVE: JULY 1, 1993

SUPERSEDES: NEW

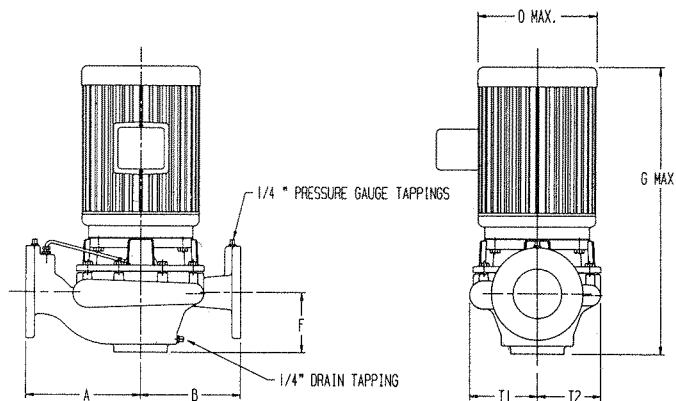
1760 RPM MODEL 2006

JOB \_\_\_\_\_

ENGINEER \_\_\_\_\_

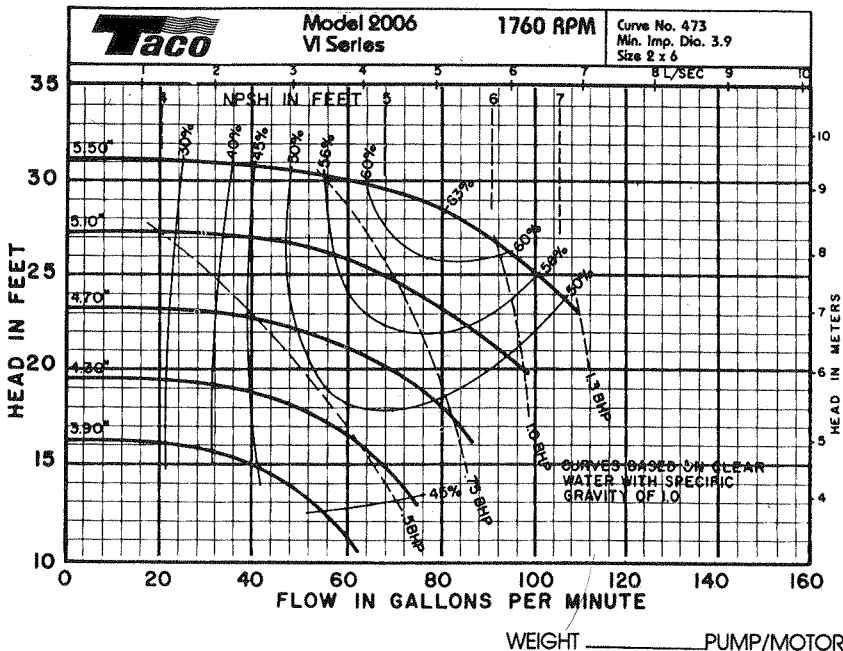
CONTRACTOR \_\_\_\_\_ REP. \_\_\_\_\_

ITEM NO.	MODEL NO.	IMPELLER DIA.	G.P.M.	HEAD/FT.	H.P.	ELEC. CHARS.
----------	-----------	---------------	--------	----------	------	--------------



50 Cycle Performance Curves attached when applicable.

Model No.	Conn.	HP 1160 RPM	HP 1760 RPM	HP 3500 RPM	Motor Frame	A	B	F	G Max.	O Max.	T1	T2
2006	2		1 1-1/2	3	143	6-1/2	5-5/16	3-15/16	17-3/4	7-5/16	5-1/8	4-1/2
				5	145				21-13/16	9-9/16		
				7-1/2	182				23-13/16	11-1/4		
					184							
				213	213							



Item	BRONZE FITTED		ALL IRON	
	Std. Pump Constr.	Optional	Standard	Optional
Casing	Cast Iron ASTM A48 Cl. 35		Cast Iron ASTM A48 Cl. 35	
Impeller	Bronze ASTM B30-4A		Cast Iron ASTM A48 Cl. 35	
Wear Ring	Bronze ASTM B30-4A		Bronze ASTM B30-4A	
Shaft	Carbon Steel AISI 1045	St. Steel AISI 416	Carbon Steel AISI 1045	St. Steel AISI 416
Shaft Sleeve	Bronze SAE 660	St. Steel AISI 416	St. Steel AISI 416	
Mech. Seal	Ceramic	Tungsten Carbide	Ceramic	Tungsten Carbide
Seal Flush Line	Copper		Copper	

OPERATING SPECIFICATIONS		
	Standard	Optional
Pressure	175 PSIG*	
Temperature: Mechanical Seal	250F	300F

Motors: All NEMA Standard (JM)  
\* In accordance with ANSI Standard B16.1 Class 125

ADDITIONAL OPTIONS	
Filters	Cuno 5 Micron
Separators	Kynar Cyclone Separator

COMMENTS: \_\_\_\_\_

TACO, INC., 1160 Cranston Street, Cranston, RI 02920 (401) 942-8000 FAX: (401) 942-2360.

TACO (Canada), Ltd., 1310 Almcro Blvd., Mississauga, Ontario L4W1B2. Telephone: 416/625-2160. FAX: 416/625-8616.

Printed in USA  
Copyright 1993  
TACO, INC.



# Submittal Data Information VI Series Pumps

301-1017

EFFECTIVE: JULY 1, 1993

SUPERSEDES: NEW

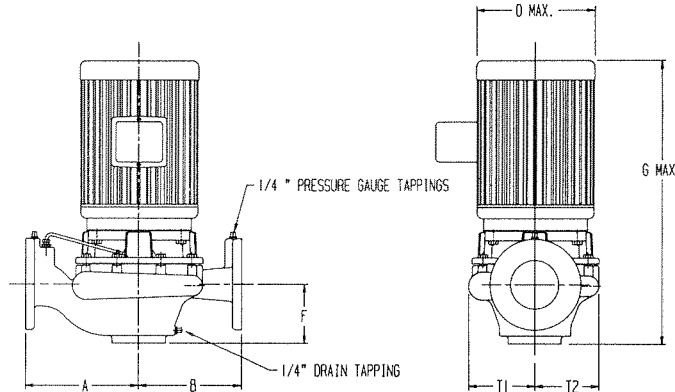
1760 RPM MODEL 2007

JOB \_\_\_\_\_

ENGINEER \_\_\_\_\_

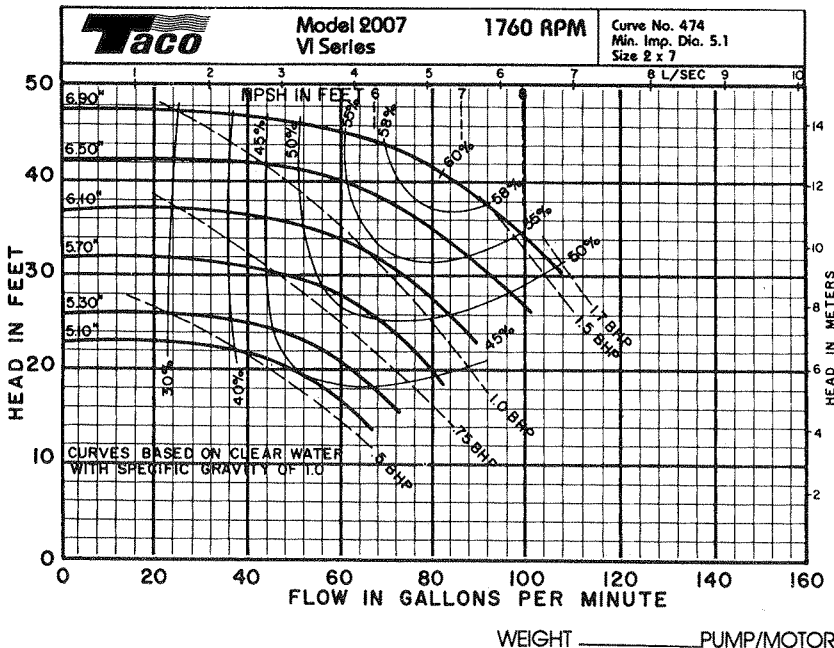
CONTRACTOR \_\_\_\_\_ REP. \_\_\_\_\_

ITEM NO.	MODEL NO.	IMPELLER DIA.	G.P.M.	HEAD/FT.	H.P.	ELEC. CHARS.
----------	-----------	---------------	--------	----------	------	--------------



50 Cycle Performance Curves attached when applicable.

Model No.	Conn.	HP 1160 RPM	HP 1760 RPM	HP 3500 RPM	Motor Frame	A	B	F	G Max.	O Max.	T1	T2	
2007	2	1/2	1 1-1/2 2	3 5 7-1/2 10 15	143	7-9/32	6-3/32	3-15/16	17-3/4	7-5/16	5-9/16	5-1/8	
					145				19				
					145				21-13/16				9-9/16
					182				23-13/16				11-1/4
					184				25-5/16				
					213				29-3/16				13-3/8
					215								
254													



Item	BRONZE FITTED		ALL IRON	
	Std. Pump Constr.	Optional	Standard	Optional
Casing	Cast Iron ASTM A48 Cl. 35		Cast Iron ASTM A48 Cl. 35	
Impeller	Bronze ASTM B30-4A		Cast Iron ASTM A48 Cl. 35	
Wear Ring	Bronze ASTM B30-4A		Bronze ASTM B30-4A	
Shaft	Carbon Steel AISI 1045	St. Steel AISI 416	Carbon Steel AISI 1045	St. Steel AISI 416
Shaft Sleeve	Bronze SAE 660	St. Steel AISI 416	St. Steel AISI 416	
Mech. Seal	Ceramic	Tungsten Carbide	Ceramic	Tungsten Carbide
Seal Flush Line	Copper		Copper	

OPERATING SPECIFICATIONS		
	Standard	Optional
Pressure	175 PSIG*	
Temperature: Mechanical Seal	250F	300F

Motors: All NEMA Standard (JM)  
\* In accordance with ANSI Standard B16.1 Class 125

ADDITIONAL OPTIONS	
Filters	Cuno 5 Micron
Separators	Kynar Cyclone Separator

COMMENTS: \_\_\_\_\_



# Submittal Data Information

## VI Series Pumps

301-1018

EFFECTIVE: JULY 1, 1993

SUPERSEDES: NEW

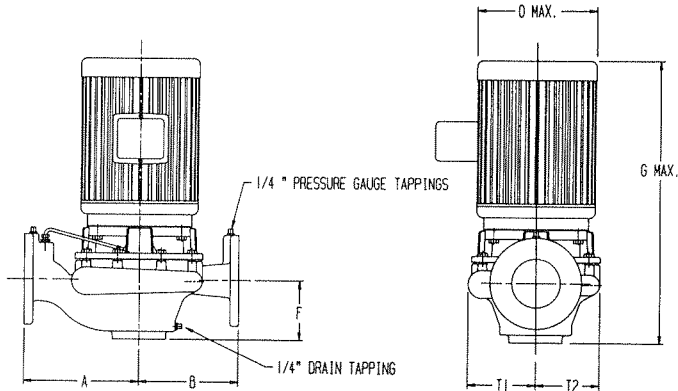
1760 RPM MODEL 2008

JOB \_\_\_\_\_

ENGINEER \_\_\_\_\_

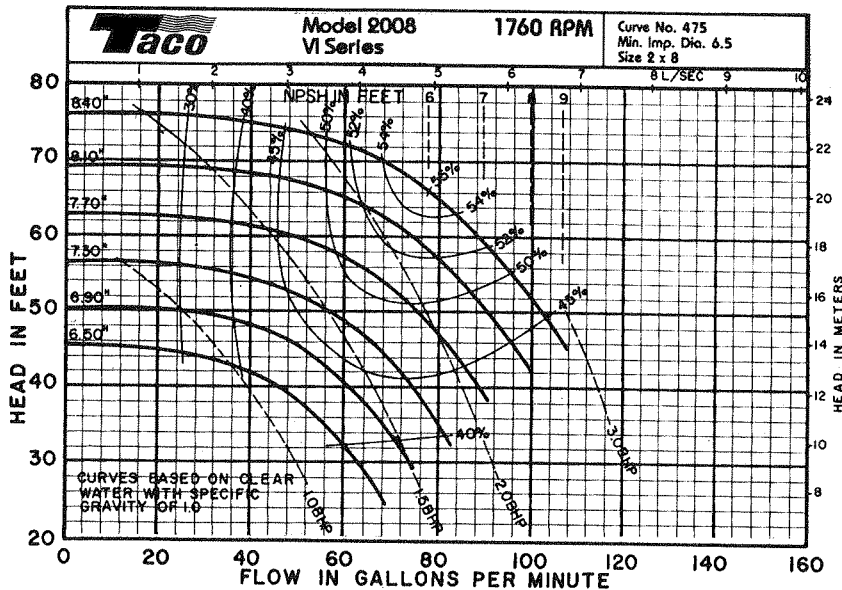
CONTRACTOR \_\_\_\_\_ REP. \_\_\_\_\_

ITEM NO.	MODEL NO.	IMPELLER DIA.	G.P.M.	HEAD/FT.	H.P.	ELEC. CHARS.
----------	-----------	---------------	--------	----------	------	--------------



50 Cycle Performance Curves attached when applicable.

Model No.	Conn.	HP 1160 RPM	HP 1760 RPM	HP 3500 RPM	Motor Frame	A	B	F	G Max.	O Max.	T1	T2
2008	2	1/2	1 1-1/2 2 3	7-1/2 10 15 20	143	7-11/16	6-7/8	3-15/16	17-3/4	7-5/16	6-1/8	5-3/4
		3/4			143							
		1			145							
			145									
			182									
			213									
			215									
			254									
			256									
					19							
		21-13/16	9-9/16									
		23-13/16	11-1/4									
		25-5/16										
		29-3/16	13-3/8									
		30-15/16										



Item	BRONZE FITTED		ALL IRON	
	Std. Pump Constr.	Optional	Standard	Optional
Casing	Cast Iron ASTM A48 Cl. 35		Cast Iron ASTM A48 Cl. 35	
Impeller	Bronze ASTM B30-4A		Cast Iron ASTM A48 Cl. 35	
Wear Ring	Bronze ASTM B30-4A		Bronze ASTM B30-4A	
Shaft	Carbon Steel AISI 1045	St. Steel AISI 416	Carbon Steel AISI 1045	St. Steel AISI 416
Shaft Sleeve	Bronze SAE 660	St. Steel AISI 416	St. Steel AISI 416	
Mech. Seal	Ceramic	Tungsten Carbide	Ceramic	Tungsten Carbide
Seal Flush Line	Copper		Copper	

OPERATING SPECIFICATIONS		
	Standard	Optional
Pressure	175 PSIG*	
Temperature: Mechanical Seal	250F	300F

Motors: All NEMA Standard (JM)  
\* In accordance with ANSI Standard B16.1 Class 125

ADDITIONAL OPTIONS	
Filters	Cuno 5 Micron
Separators	Kynar Cyclone Separator

COMMENTS: \_\_\_\_\_



# Submittal Data Information VI Series Pumps

301-1019

EFFECTIVE: JULY 1, 1993

SUPERSEDES: NEW

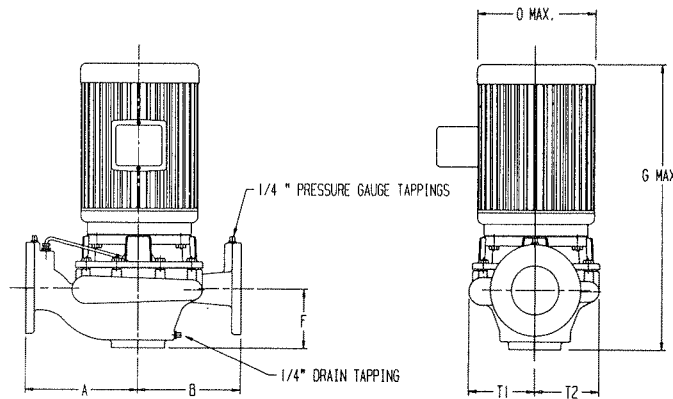
1760 RPM MODEL 2506

JOB \_\_\_\_\_

ENGINEER \_\_\_\_\_

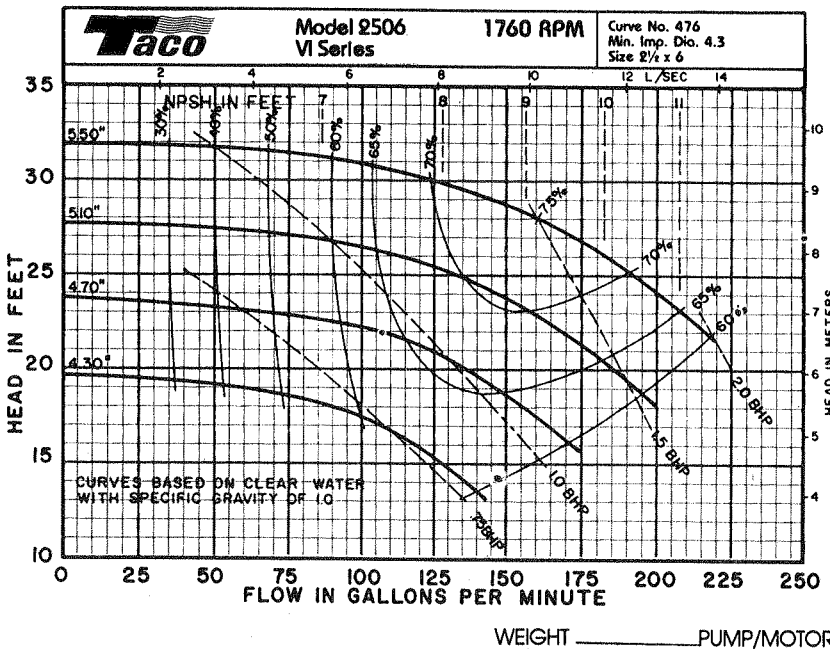
CONTRACTOR \_\_\_\_\_ REP. \_\_\_\_\_

ITEM NO.	MODEL NO.	IMPELLER DIA.	G.P.M.	HEAD/FT.	H.P.	ELEC. CHARS.
----------	-----------	---------------	--------	----------	------	--------------



50 Cycle Performance Curves attached when applicable.

Model No.	Conn.	HP 1160 RPM	HP 1760 RPM	HP 3500 RPM	Motor Frame	A	B	F	G Max.	O Max.	T1	T2		
2506	2-1/2		1	5	143	7	6-3/32	4-1/8	17-15/16	7-5/16	5-7/16	4-3/4		
			1-1/2		145				19-3/16					
			2		145				22	9-9/16				
					7-1/2				184	213			24	11-1/4
					10				215	25-1/2				
					15				254	29-3/8			13-3/8	



Item	BRONZE FITTED		ALL IRON	
	Std. Pump Constr.	Optional	Standard	Optional
Casing	Cast Iron ASTM A48 Cl. 35		Cast Iron ASTM A48 Cl. 35	
Impeller	Bronze ASTM B30-4A		Cast Iron ASTM A48 Cl. 35	
Wear Ring	Bronze ASTM B30-4A		Bronze ASTM B30-4A	
Shaft	Carbon Steel AISI 1045	St. Steel AISI 416	Carbon Steel AISI 1045	St. Steel AISI 416
Shaft Sleeve	Bronze SAE 660	St. Steel AISI 416	St. Steel AISI 416	
Mech. Seal	Ceramic	Tungsten Carbide	Ceramic	Tungsten Carbide
Seal Flush Line	Copper		Copper	

OPERATING SPECIFICATIONS		
	Standard	Optional
Pressure	175 PSIG*	
Temperature: Mechanical Seal	250F	300F

Motors: All NEMA Standard (JM)  
\* In accordance with ANSI Standard B16.1 Class 125

ADDITIONAL OPTIONS	
Filters	Cuno 5 Micron
Separators	Kynar Cyclone Separator

COMMENTS: \_\_\_\_\_





# Submittal Data Information VI Series Pumps

301-1020

EFFECTIVE: JULY 1, 1993

SUPERSEDES: NEW

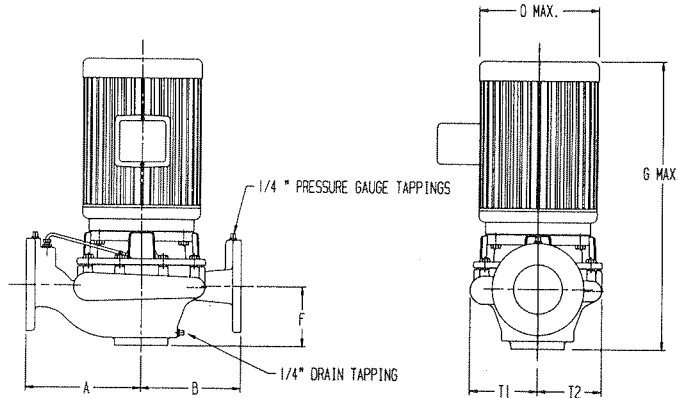
1760 RPM MODEL 2507

JOB \_\_\_\_\_

ENGINEER \_\_\_\_\_

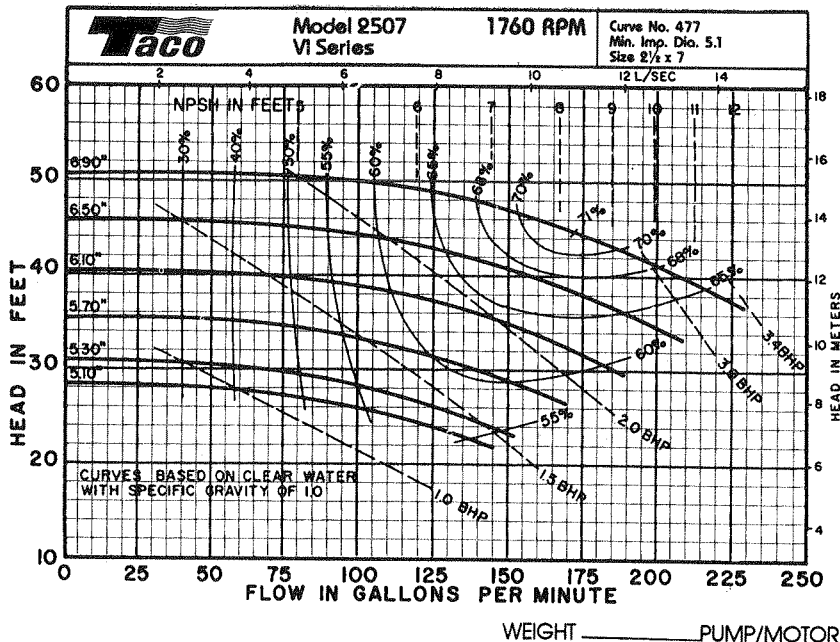
CONTRACTOR \_\_\_\_\_ REP. \_\_\_\_\_

ITEM NO.	MODEL NO.	IMPELLER DIA.	G.P.M.	HEAD/FT.	H.P.	ELEC. CHARS.
----------	-----------	---------------	--------	----------	------	--------------



50 Cycle Performance Curves attached when applicable.

Model No.	Conn.	HP 1160 RPM	HP 1760 RPM	HP 3500 RPM	Motor Frame	A	B	F	G Max.	O Max.	T1	T2
2507	2-1/2	1/2	1-1/2	7-1/2	143	7-11/16	6-7/8	4-1/8	17-15/16	7-5/16	6	5-5/16
					143				19-3/16			
		145			22				9-9/16			
		145			24				11-1/4			
		182			25-1/2				13-3/8			
		184			29-3/8				13-3/8			
		213			31-1/8				13-3/8			
		215			31-5/8				13-3/8			
		254										
		256										
284												



Item	BRONZE FITTED		ALL IRON	
	Std. Pump Constr.	Optional	Standard	Optional
Casing	Cast Iron ASTM A48 Cl. 35		Cast Iron ASTM A48 Cl. 35	
Impeller	Bronze ASTM B30-4A		Cast Iron ASTM A48 Cl. 35	
Wear Ring	Bronze ASTM B30-4A		Bronze ASTM B30-4A	
Shaft	Carbon Steel AISI 1045	St. Steel AISI 416	Carbon Steel AISI 1045	St. Steel AISI 416
Shaft Sleeve	Bronze SAE 660	St. Steel AISI 416	St. Steel AISI 416	
Mech. Seal	Ceramic	Tungsten Carbide	Ceramic	Tungsten Carbide
Seal Flush Line	Copper		Copper	

OPERATING SPECIFICATIONS		
	Standard	Optional
Pressure	175 PSIG*	
Temperature: Mechanical Seal	250F	300F

Motors: All NEMA Standard (JM)  
\* In accordance with ANSI Standard B16.1 Class 125

ADDITIONAL OPTIONS	
Filters	Cuno 5 Micron
Separators	Kynar Cyclone Separator

COMMENTS: \_\_\_\_\_

TACO, INC., 1160 Cranston Street, Cranston, RI 02920 (401) 942-8000 FAX: (401) 942-2360.

TACO (Canada), Ltd., 1310 Aimco Blvd., Mississauga, Ontario L4W1B2. Telephone: 416/625-2160. FAX: 416/625-8616.

Printed in USA  
Copyright 1993  
TACO, INC.



# Submittal Data Information VI Series Pumps

301-1021

EFFECTIVE: JULY 1, 1993

SUPERSEDES: NEW

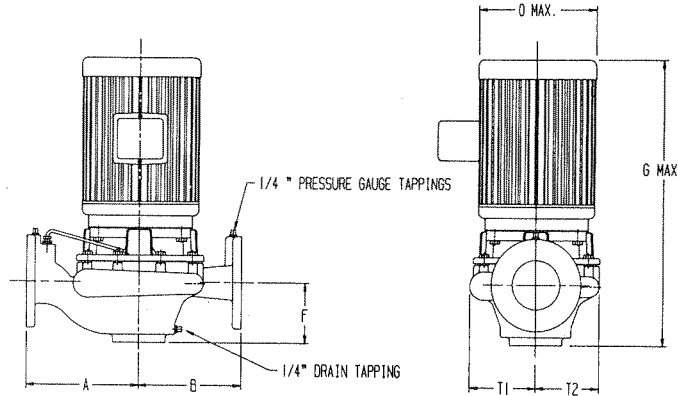
1760 RPM MODEL 2508

JOB \_\_\_\_\_

ENGINEER \_\_\_\_\_

CONTRACTOR \_\_\_\_\_ REP. \_\_\_\_\_

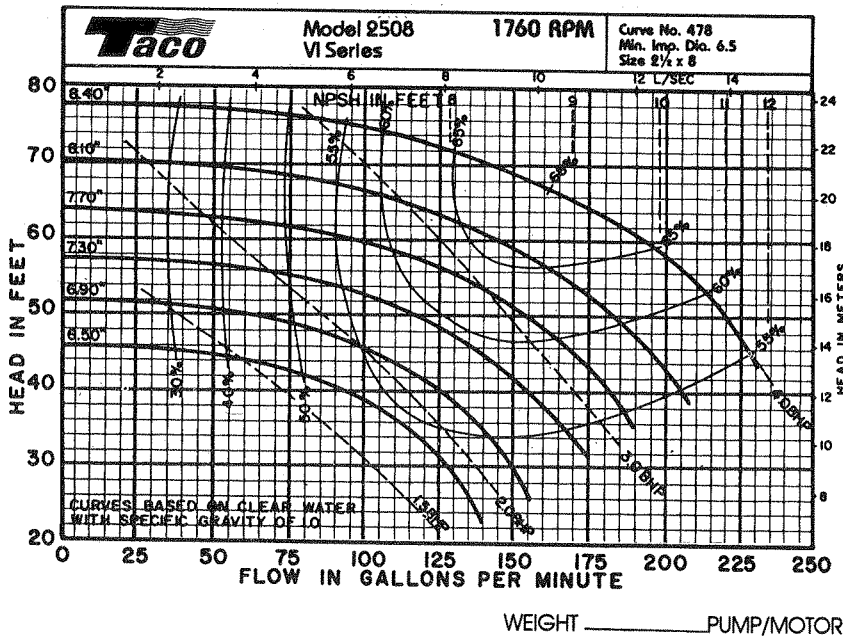
ITEM NO.	MODEL NO.	IMPELLER DIA.	G.P.M.	HEAD/FT.	H.P.	ELEC. CHARS.
----------	-----------	---------------	--------	----------	------	--------------



50 Cycle Performance Curves attached when applicable.

\*ODP MOTOR W/DRIP COVER

Model No.	Conn.	HP 1160 RPM	HP 1760 RPM	HP 3500 RPM	Motor Frame	A	B	F	G Max.	O Max.	T1	T2
2508	2-1/2	1/2	2	10	143	8-1/4	7-11/16	4-1/8	17-15/16	7-5/16	6-9/16	6
		3/4			143				19-3/16	7-5/16		
		1			145				22	9-9/16		
		1-1/2			145				25-1/2	11-1/4		
					145				29-3/8	13-3/8		
		182			31-1/8							
		184			31-5/8							
		215			33-1/8							
		254			33-1/8				14			
		256										
284												
286												
286*												



Item	BRONZE FITTED		ALL IRON	
	Std. Pump Constr.	Optional	Standard	Optional
Casing	Cast Iron ASTM A48 Cl. 35		Cast Iron ASTM A48 Cl. 35	
Impeller	Bronze ASTM B30-4A		Cast Iron ASTM A48 Cl. 35	
Wear Ring	Bronze ASTM B30-4A		Bronze ASTM B30-4A	
Shaft	Carbon Steel AISI 1045	St. Steel AISI 416	Carbon Steel AISI 1045	St. Steel AISI 416
Shaft Sleeve	Bronze SAE 660	St. Steel AISI 416	St. Steel AISI 416	
Mech. Seal	Ceramic	Tungsten Carbide	Ceramic	Tungsten Carbide
Seal Flush Line	Copper		Copper	

OPERATING SPECIFICATIONS		
	Standard	Optional
Pressure	175 PSIG*	
Temperature: Mechanical Seal	250F	300F

Motors: All NEMA Standard (JM)  
\* In accordance with ANSI Standard B16.1 Class 125

ADDITIONAL OPTIONS	
Filters	Cuno 5 Micron
Separators	Kynar Cyclone Separator

COMMENTS: \_\_\_\_\_

TACO, INC., 1160 Cranston Street, Cranston, RI 02920 (401) 942-8000 FAX: (401) 942-2360.

TACO (Canada), Ltd., 1310 Almco Blvd., Mississauga, Ontario L4W1B2. Telephone: 416/625-2160. FAX: 416/625-8616.

Printed in USA  
Copyright 1993  
TACO, INC.



# Submittal Data Information VI Series Pumps

301-1022

EFFECTIVE: JULY 1, 1993

SUPERSEDES: NEW

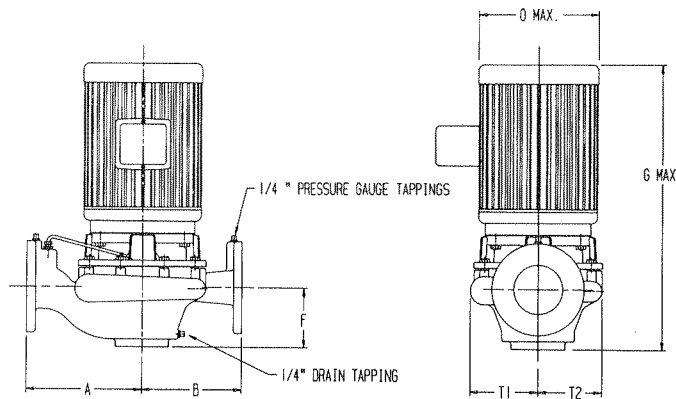
1760 RPM MODEL 2510

JOB \_\_\_\_\_

ENGINEER \_\_\_\_\_

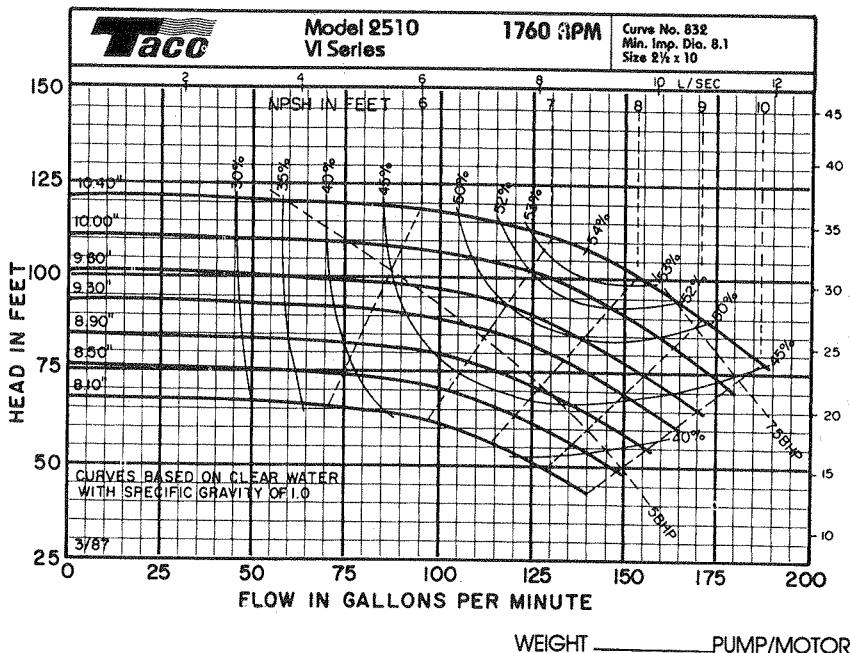
CONTRACTOR \_\_\_\_\_ REP. \_\_\_\_\_

ITEM NO.	MODEL NO.	IMPELLER DIA.	G.P.M.	HEAD/FT.	H.P.	ELEC. CHARS.
----------	-----------	---------------	--------	----------	------	--------------



50 Cycle Performance Curves attached when applicable.

Model No.	Conn.	HP 1160 RPM	HP 1760 RPM	HP 3500 RPM	Motor Frame	A	B	F	G Max.	O Max.	T1	T2
2510	2-1/2	1			145	9-21/32	8-21/32	4-1/8	17-3/4	7-5/16	7-5/16	6-11/16
		1-1/2	3	182	21-13/16				9-9/16			
		2	5	184	24				11-1/4			
		3	7-1/2	213	25-1/2							
		10		215								



Item	BRONZE FITTED		ALL IRON	
	Std. Pump Constr.	Optional	Standard	Optional
Casing	Cast Iron ASTM A48 Cl. 35		Cast Iron ASTM A48 Cl. 35	
Impeller	Bronze ASTM B30-4A		Cast Iron ASTM A48 Cl. 35	
Wear Ring	Bronze ASTM B30-4A		Bronze ASTM B30-4A	
Shaft	Carbon Steel AISI 1045	St. Steel AISI 416	Carbon Steel AISI 1045	St. Steel AISI 416
Shaft Sleeve	Bronze SAE 660	St. Steel AISI 416	St. Steel AISI 416	
Mech. Seal	Ceramic	Tungsten Carbide	Ceramic	Tungsten Carbide
Seal Flush Line	Copper		Copper	

OPERATING SPECIFICATIONS		
	Standard	Optional
Pressure	175 PSIG*	
Temperature: Mechanical Seal	250F	300F

Motors: All NEMA Standard (JM)  
\* In accordance with ANSI Standard B16.1 Class 125

ADDITIONAL OPTIONS	
Filters	Cuno 5 Micron
Separators	Kynar Cyclone Separator

COMMENTS: \_\_\_\_\_



# Submittal Data Information

## VI Series Pumps

301-1023

EFFECTIVE: JULY 1, 1993

SUPERSEDES: NEW

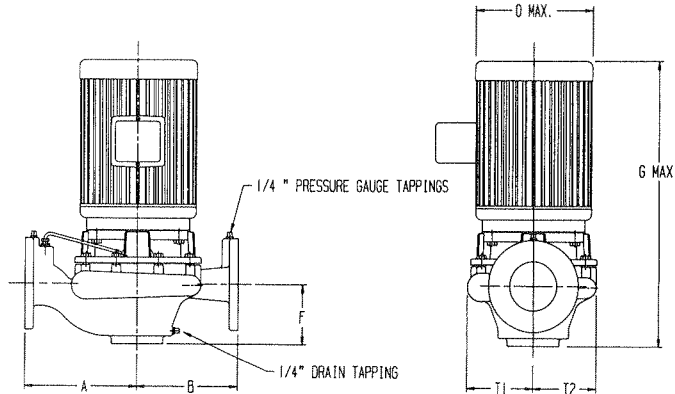
1760 RPM MODEL 3006

JOB \_\_\_\_\_

ENGINEER \_\_\_\_\_

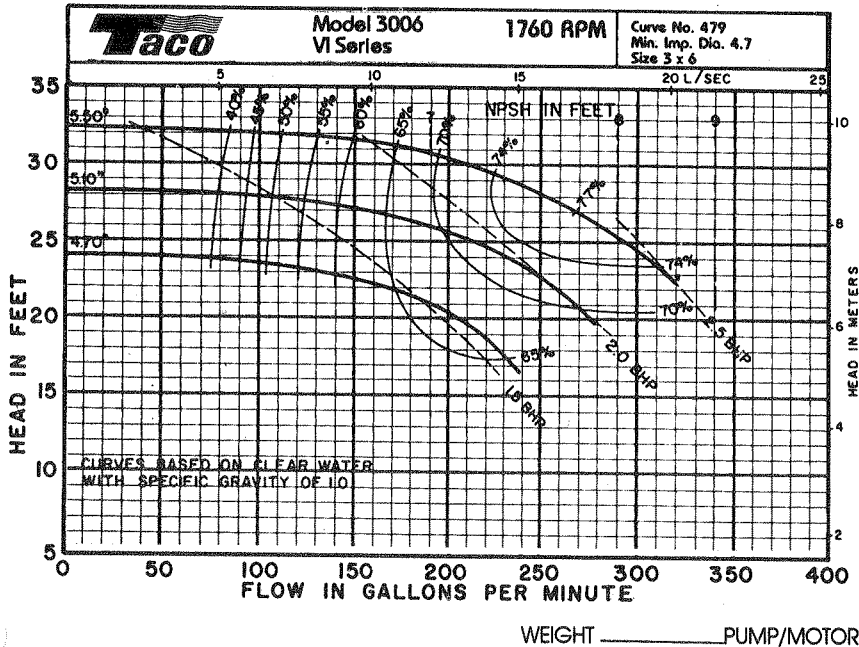
CONTRACTOR \_\_\_\_\_ REP. \_\_\_\_\_

ITEM NO.	MODEL NO.	IMPELLER DIA.	G.P.M.	HEAD/FT.	H.P.	ELEC. CHARS.
----------	-----------	---------------	--------	----------	------	--------------



50 Cycle Performance Curves attached when applicable.

Model No.	Conn.	HP 1160 RPM	HP 1760 RPM	HP 3500 RPM	Motor Frame	A	B	F	G Max.	O Max.	T1	T2
3006	3		1-1/2 2 3	10 15 20	145 145 182 215 254 256	9-1/4	6-7/8	5-1/8	18-15/16	7-5/16	6-1/2	5-1/4
									20-3/16			
									23	9-9/16		
									26-1/2	11-1/4		
									30-3/8	13-3/8		
									32-1/8			



Item	BRONZE FITTED		ALL IRON	
	Std. Pump Constr.	Optional	Standard	Optional
Casing	Cast Iron ASTM A48 Cl. 35		Cast Iron ASTM A48 Cl. 35	
Impeller	Bronze ASTM B30-4A		Cast Iron ASTM A48 Cl. 35	
Wear Ring	Bronze ASTM B30-4A		Bronze ASTM B30-4A	
Shaft	Carbon Steel AISI 1045	St. Steel AISI 416	Carbon Steel AISI 1045	St. Steel AISI 416
Shaft Sleeve	Bronze SAE 660	St. Steel AISI 416	St. Steel AISI 416	
Mech. Seal	Ceramic	Tungsten Carbide	Ceramic	Tungsten Carbide
Seal Flush Line	Copper		Copper	

OPERATING SPECIFICATIONS		
	Standard	Optional
Pressure	175 PSIG*	
Temperature: Mechanical Seal	250F	300F

Motors: All NEMA Standard (JM)  
\* In accordance with ANSI Standard B16.1 Class 125

ADDITIONAL OPTIONS	
Filters	Cuno 5 Micron
Separators	Kynar Cyclone Separator

COMMENTS: \_\_\_\_\_

TACO, INC., 1160 Cranston Street, Cranston, RI 02920 (401) 942-8000 FAX: (401) 942-2360.

TACO (Canada), Ltd., 1310 Almco Blvd., Mississauga, Ontario L4W1B2. Telephone: 416/625-2160. FAX: 416/625-8616.

Printed in USA  
Copyright 1993  
TACO, INC.



# Submittal Data Information VI Series Pumps

301-1024

EFFECTIVE: JULY 1, 1993

SUPERSEDES: NEW

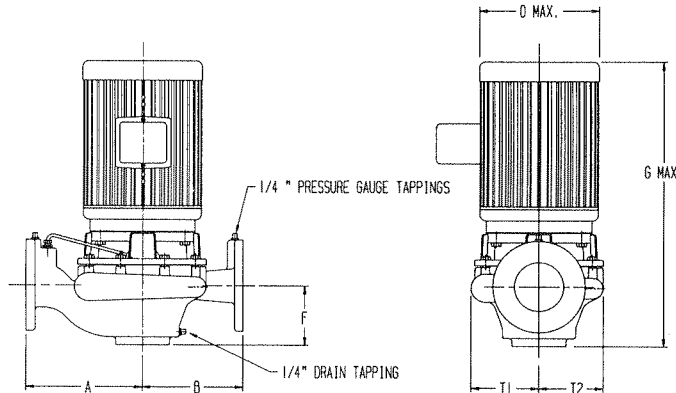
1760 RPM MODEL 3007

JOB \_\_\_\_\_

ENGINEER \_\_\_\_\_

CONTRACTOR \_\_\_\_\_ REP. \_\_\_\_\_

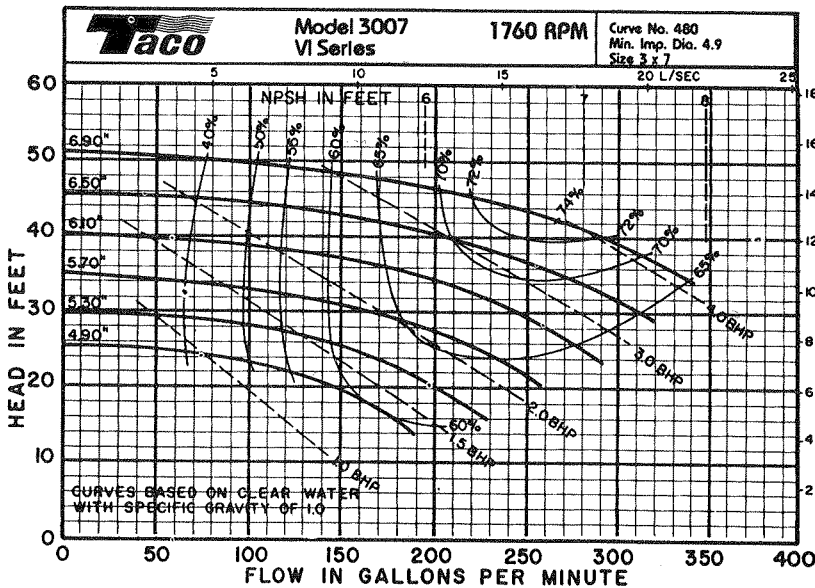
ITEM NO.	MODEL NO.	IMPELLER DIA.	G.P.M.	HEAD/FT.	H.P.	ELEC. CHARS.
----------	-----------	---------------	--------	----------	------	--------------



50 Cycle Performance Curves attached when applicable.

\*ODP MOTOR W/DRIP COVER

Model No.	Col:n.	HP 1160 RPM	HP 1760 RPM	HP 3500 RPM	Motor Frame	A	B	F	G Max.	O Max.	T1	T2
3007	3	1/2	1-1/2		143	9-1/4	7-11/16	5-1/8	18-15/16	7-5/16	6-7/8	5-11/16
		3/4			143							
		1			145							
					145							
		1-1/2			182							
					184							
					215							
					254							
					256							
					284							
	286											
	286*											
								20-3/16				
								23	9-9/16			
								26-1/2	11-1/4			
								30-3/8	13-3/8			
								32-1/8				
								32-5/8				
								34-1/8				
								34-1/8	14			



WEIGHT \_\_\_\_\_ PUMP/MOTOR

Item	BRONZE FITTED		ALL IRON	
	Std. Pump Constr.	Optional	Standard	Optional
Casing	Cast Iron ASTM A48 Cl. 35		Cast Iron ASTM A48 Cl. 35	
Impeller	Bronze ASTM B30-4A		Cast Iron ASTM A48 Cl. 35	
Wear Ring	Bronze ASTM B30-4A		Bronze ASTM B30-4A	
Shaft	Carbon Steel AISI 1045	St. Steel AISI 416	Carbon Steel AISI 1045	St. Steel AISI 416
Shaft Sleeve	Bronze SAE 660	St. Steel AISI 416	St. Steel AISI 416	
Mech. Seal	Ceramic	Tungsten Carbide	Ceramic	Tungsten Carbide
Seal Flush Line	Copper		Copper	

OPERATING SPECIFICATIONS		
	Standard	Optional
Pressure	175 PSIG*	
Temperature: Mechanical Seal	250F	300F

Motors: All NEMA Standard (JM)  
\* In accordance with ANSI Standard B16.1 Class 125

ADDITIONAL OPTIONS	
Filters	Cuno 5 Micron
Separators	Kynar Cyclone Separator

COMMENTS: \_\_\_\_\_

TACO, INC., 1160 Cranston Street, Cranston, RI 02920 (401) 942-8000 FAX: (401) 942-2360.

TACO (Canada), Ltd., 1310 Almco Blvd., Mississauga, Ontario L4W1B2. Telephone: 416/625-2160. FAX: 416/625-8616.

Printed in USA  
Copyright 1993  
TACO, INC.



# Submittal Data Information

## VI Series Pumps

301-1025

EFFECTIVE: JULY 1, 1993

SUPERSEDES: NEW

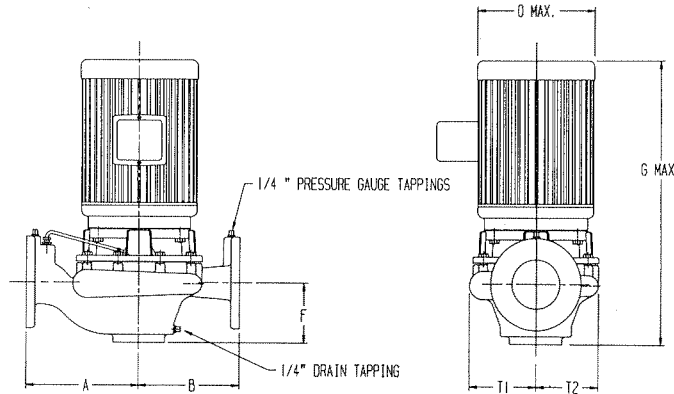
1760 RPM MODEL 3008

JOB \_\_\_\_\_

ENGINEER \_\_\_\_\_

CONTRACTOR \_\_\_\_\_ REP. \_\_\_\_\_

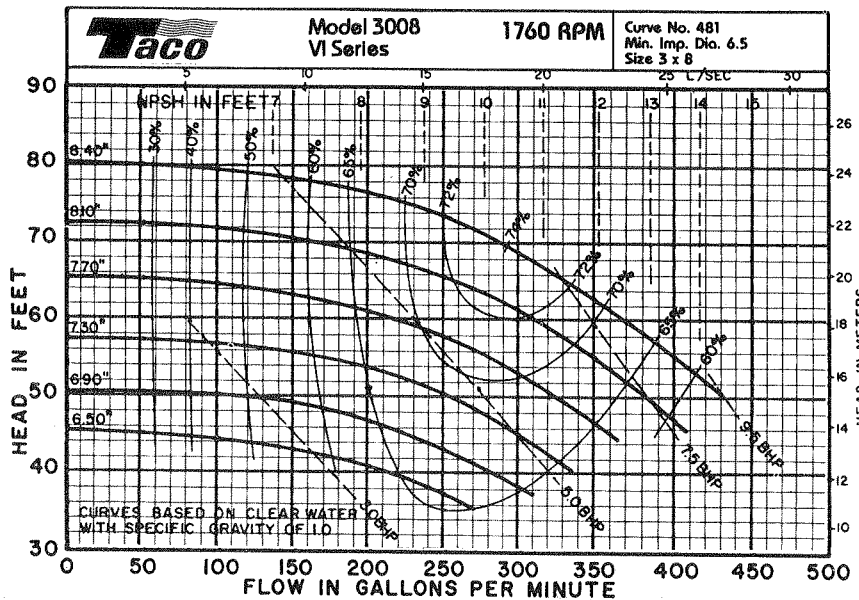
ITEM NO.	MODEL NO.	IMPELLER DIA.	G.P.M.	HEAD/FT.	H.P.	ELEC. CHARS.
----------	-----------	---------------	--------	----------	------	--------------



50 Cycle Performance Curves attached when applicable.

\*ODP MOTOR W/DRIP COVER

Model No.	Conn.	HP 1160 RPM	HP 1760 RPM	HP 3503 RPM	Motor Frame	A	B	F	G Max.	O Max.	T1	T2
3008	3	1	3		145	9-13/16	8-11/16	5-1/8	18-15/16	7-5/16	7-3/16	6-3/8
		1-1/2	5		182				23	9-9/16		
		2	7-1/2		184				25	11-1/4		
		3	10		213				26-1/2			
				25	284				32-5/8	13-3/8		
				30	286				34-1/8			
				40	286*				34-1/8	14		
				50	324*				34-15/16	16		
				60	326*				36-7/16			



Item	BRONZE FITTED		ALL IRON	
	Std. Pump Constr.	Optional	Standard	Optional
Casing	Cast Iron ASTM A48 Cl. 35		Cast Iron ASTM A48 Cl. 35	
Impeller	Bronze ASTM B30-4A		Cast Iron ASTM A48 Cl. 35	
Wear Ring	Bronze ASTM B30-4A		Bronze ASTM B30-4A	
Shaft	Carbon Steel AISI 1045	St. Steel AISI 416	Carbon Steel AISI 1045	St. Steel AISI 416
Shaft Sleeve	Bronze SAE 660	St. Steel AISI 416	St. Steel AISI 416	
Mech. Seal	Ceramic	Tungsten Carbide	Ceramic	Tungsten Carbide
Seal Flush Line	Copper		Copper	

OPERATING SPECIFICATIONS		
	Standard	Optional
Pressure	175 PSIG*	
Temperature: Mechanical Seal	250F	300F

Motors: All NEMA Standard (JM)  
\* In accordance with ANSI Standard B16.1 Class 125

ADDITIONAL OPTIONS	
Filters	Cuno 5 Micron
Separators	Kynar Cyclone Separator

COMMENTS: \_\_\_\_\_

TACO, INC., 1160 Cranston Street, Cranston, RI 02920 (401) 942-8000 FAX: (401) 942-2360.

TACO (Canada), Ltd., 1310 Almco Blvd., Mississauga, Ontario L4W1B2. Telephone: 416/625-2160. FAX: 416/625-3616.

Printed in USA  
Copyright 1993  
TACO, INC.



# Submittal Data Information VI Series Pumps

301-1026

EFFECTIVE: JULY 1, 1993

SUPERSEDES: NEW

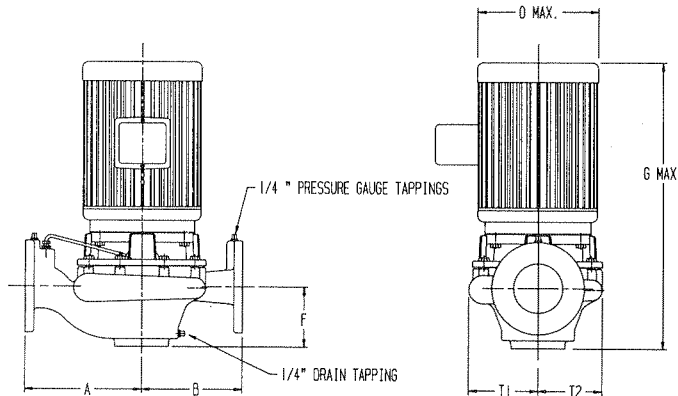
1760 RPM MODEL 3010

JOB \_\_\_\_\_

ENGINEER \_\_\_\_\_

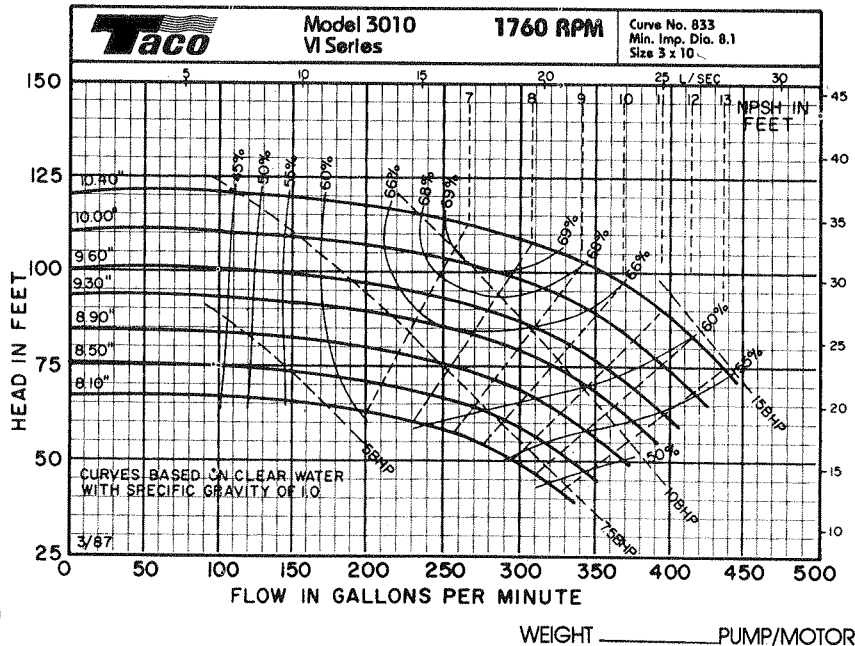
CONTRACTOR \_\_\_\_\_ REP. \_\_\_\_\_

ITEM NO.	MODEL NO.	IMPELLER DIA.	G.P.M.	HEAD/FT.	H.P.	ELEC. CHARS.
----------	-----------	---------------	--------	----------	------	--------------



50 Cycle Performance Curves attached when applicable.

Model No.	Conn.	HP 1160 RPM	HP 1760 RPM	HP 3500 RPM	Motor Frame	A	B	F	G Max.	O Max.	T1	T2
3010	3	1-1/2			182	10-5/8	9-5/8	5-1/8	23	9-9/16	7-11/16	6-7/8
		2			184							
		3	7-1/2		213							
		5	10		215							
			15		254							
			20		256							
									25	11-1/4		
									26-1/2			
									30-3/8	13-3/8		
									32-1/8			



Item	BRONZE FITTED		ALL IRON	
	Std. Pump Constr.	Optional	Standard	Optional
Casing	Cast Iron ASTM A48 Cl. 35		Cast Iron ASTM A48 Cl. 35	
Impeller	Bronze ASTM B30-4A		Cast Iron ASTM A48 Cl. 35	
Wear Ring	Bronze ASTM B30-4A		Bronze ASTM B30-4A	
Shaft	Carbon Steel AISI 1045	St. Steel AISI 416	Carbon Steel AISI 1045	St. Steel AISI 416
Shaft Sleeve	Bronze SAE 660	St. Steel AISI 416	St. Steel AISI 416	
Mech. Seal	Ceramic	Tungsten Carbide	Ceramic	Tungsten Carbide
Seal Flush Line	Copper		Copper	

OPERATING SPECIFICATIONS		
	Standard	Optional
Pressure	175 PSIG*	
Temperature: Mechanical Seal	250F	300F

Motors: All NEMA Standard (JM)  
\* In accordance with ANSI Standard B16.1 Class 125

ADDITIONAL OPTIONS	
Filters	Cuno 5 Micron
Separators	Kynar Cyclone Separator

COMMENTS: \_\_\_\_\_





# Submittal Data Information

## VI Series Pumps

301-1027

EFFECTIVE: JULY 1, 1993

SUPERSEDES: NEW

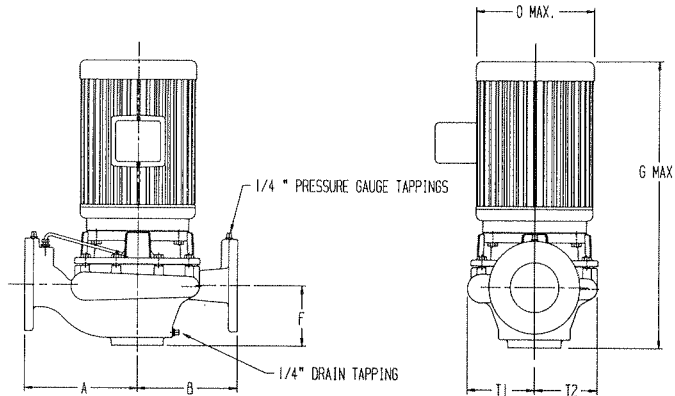
1760 RPM MODEL 4007

JOB \_\_\_\_\_

ENGINEER \_\_\_\_\_

CONTRACTOR \_\_\_\_\_ REP. \_\_\_\_\_

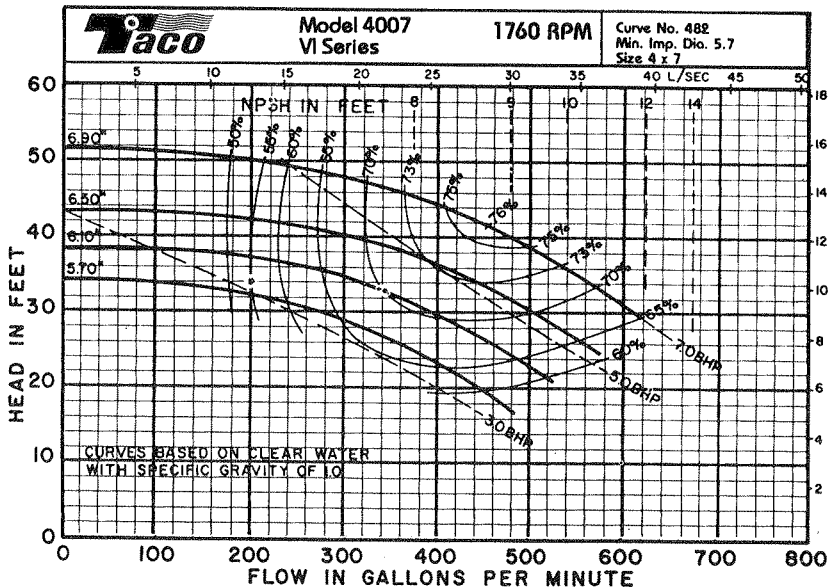
ITEM NO.	MODEL NO.	IMPELLER DIA.	G.P.M.	HEAD/FT.	H.P.	ELEC. CHARS.
----------	-----------	---------------	--------	----------	------	--------------



50 Cycle Performance Curves attached when applicable.

\*ODP MOTOR W/DRIP COVER

Model No.	Conn.	HP 1160 RPM	HP 1760 RPM	HP 3500 RPM	Motor Frame	A	B	F	G Max.	O Max.	T1	T2
4007	4	1	3		145	10-7/16	8-11/16	5-29/32	19-23/32	7-5/16	7-1/4	5-7/8
		1-1/2	5	182	23-25/32				9-9/16			
		2	7-1/2	184	25-25/32				11-1/4			
			20	256	32-15/16				13-3/8			
			25	284	33-7/16							
			30	286	34-15/16							
			40	286*	34-15/16				14			
			50	324*	35-2/4				16			
			60	326*	37-1/4							



Item	BRONZE FITTED		ALL IRON	
	Std. Pump Constr.	Optional	Standard	Optional
Casing	Cast Iron ASTM A48 Cl. 35		Cast Iron ASTM A48 Cl. 35	
Impeller	Bronze ASTM B30-4A		Cast Iron ASTM A48 Cl. 35	
Wear Ring	Bronze ASTM B30-4A		Bronze ASTM B30-4A	
Shaft	Carbon Steel AISI 1045	St. Steel AISI 416	Carbon Steel AISI 1045	St. Steel AISI 416
Shaft Sleeve	Bronze SAE 660	St. Steel AISI 416	St. Steel AISI 416	
Mech. Seal	Ceramic	Tungsten Carbide	Ceramic	Tungsten Carbide
Seal Flush Line	Copper		Copper	

OPERATING SPECIFICATIONS		
	Standard	Optional
Pressure	175 PSIG*	
Temperature: Mechanical Seal	250F	300F

Motors: All NEMA Standard (JM)  
\* In accordance with ANSI Standard B16.1 Class 125

ADDITIONAL OPTIONS	
Filters	Cuno 5 Micron
Separators	Kynar Cyclone Separator

WEIGHT \_\_\_\_\_ PUMP/MOTOR

COMMENTS: \_\_\_\_\_

TACO, INC., 1160 Cranston Street, Cranston, RI 02920 (401) 942-8000 FAX: (401) 942-2360.

TACO (Canada), Ltd., 1310 Almco Blvd., Mississauga, Ontario L4W1B2. Telephone: 416/625-2160. FAX: 416/625-8616.

Printed in USA  
Copyright 1993  
TACO, INC.





# Submittal Data Information VI Series Pumps

301-1029

EFFECTIVE: JULY 1, 1993

SUPERSEDES: NEW

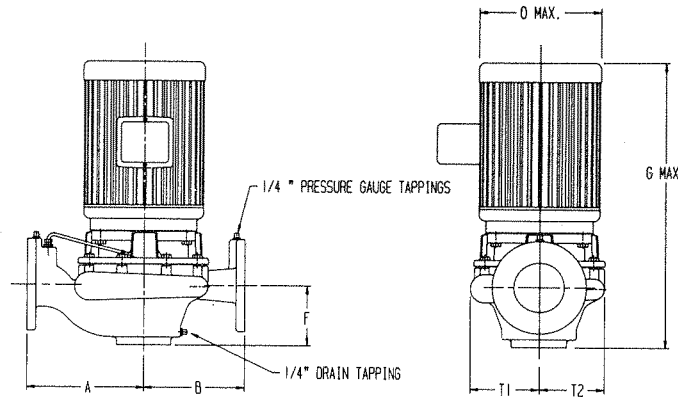
1760 RPM MODEL 5008

JOB \_\_\_\_\_

ENGINEER \_\_\_\_\_

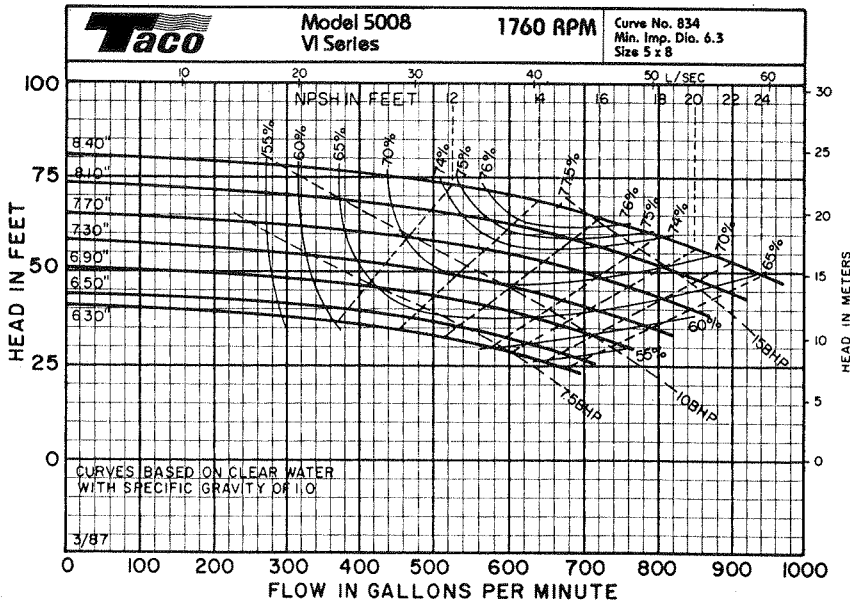
CONTRACTOR \_\_\_\_\_ REP. \_\_\_\_\_

ITEM NO.	MODEL NO.	IMPELLER DIA.	G.P.M.	HEAD/FT.	H.P.	ELEC. CHARS.
----------	-----------	---------------	--------	----------	------	--------------



50 Cycle Performance Curves attached when applicable.

Model No.	Conn.	HP 1160 RPM	HP 1760 RPM	HP 3500 RPM	Motor Frame	A	B	F	G Max.	O Max.	T1	T2
5008	5	3	7-1/2		213	13-5/32	10-13/16	6-21/32	26-31/32	11-1/4	8-1/2	6-3/4
		5	10		215				28-7/16			
		7-1/2	15		254				31-31/32	13-3/8		
		20	256	33-23/32								



Item	BRONZE FITTED		ALL IRON	
	Std. Pump Constr.	Optional	Standard	Optional
Casing	Cast Iron ASTM A48 Cl. 35		Cast Iron ASTM A48 Cl. 35	
Impeller	Bronze ASTM B30-4A		Cast Iron ASTM A48 Cl. 35	
Wear Ring	Bronze ASTM B30-4A		Bronze ASTM B30-4A	
Shaft	Carbon Steel AISI 1045	St. Steel AISI 416	Carbon Steel AISI 1045	St. Steel AISI 416
Shaft Sleeve	Bronze SAE 660	St. Steel AISI 416	St. Steel AISI 416	
Mech. Seal	Ceramic	Tungsten Carbide	Ceramic	Tungsten Carbide
Seal Flush Line	Copper		Copper	

OPERATING SPECIFICATIONS		
	Standard	Optional
Pressure	175 PSIG*	
Temperature: Mechanical Seal	250F	300F

Motors: All NEMA Standard (JM)  
\* In accordance with ANSI Standard B16.1 Class 125

ADDITIONAL OPTIONS	
Filters	Cuno 5 Micron
Separators	Kynar Cyclone Separator

WEIGHT \_\_\_\_\_ PUMP/MOTOR

COMMENTS: \_\_\_\_\_

TACO, INC., 1160 Cranston Street, Cranston, RI 02920 (401) 942-8000 FAX: (401) 942-2360.

TACO (Canada), Ltd., 1310 Aimco Blvd., Mississauga, Ontario L4W1B2. Telephone: 416/625-2160. FAX: 416/625-8616.

Printed In USA  
Copyright 1993  
TACO, INC.



# Submittal Data Information VI Series Pumps

301-1032

EFFECTIVE: JULY 1, 1993

SUPERSEDES: NEW

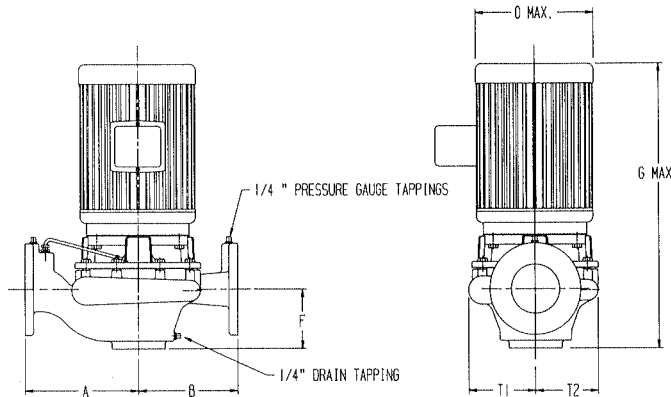
3500 RPM MODEL 1506

JOB \_\_\_\_\_

ENGINEER \_\_\_\_\_

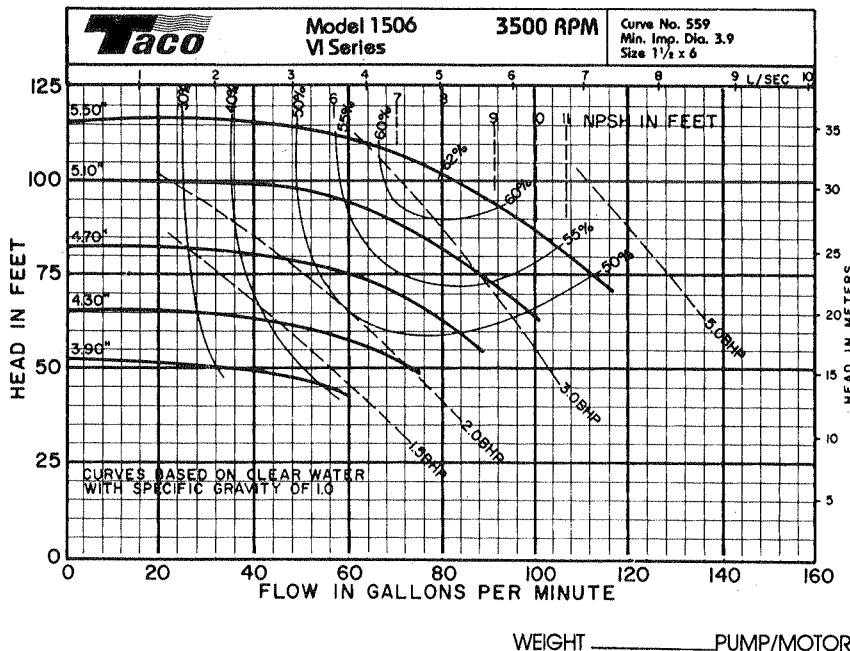
CONTRACTOR \_\_\_\_\_ REP. \_\_\_\_\_

ITEM NO.	MODEL NO.	IMPELLER DIA.	G.P.M.	HEAD/FT.	H.P.	ELEC. CHARS.
----------	-----------	---------------	--------	----------	------	--------------



50 Cycle Performance Curves attached when applicable.

Model No.	Conn.	HP 1160 RPM	HP 1760 RPM	HP 3500 RPM	Motor Frame	A	B	F	G Max.	O Max.	T1	T2
1506	1-1/2		1	1-1/2	143	6-3/32	5-5/16	3-3/4	17-9/16	7-5/16	4-11/16	4-1/4
		2		145	21-5/8				9-9/16			
		3		182								
		5		184								



Item	BRONZE FITTED		ALL IRON	
	Std. Pump Constr.	Optional	Standard	Optional
Casing	Cast Iron ASTM A48 Cl. 35		Cast Iron ASTM A48 Cl. 35	
Impeller	Bronze ASTM B30-4A		Cast Iron ASTM A48 Cl. 35	
Wear Ring	Bronze ASTM B30-4A		Bronze ASTM B30-4A	
Shaft	Carbon Steel AISI 1045	St. Steel AISI 416	Carbon Steel AISI 1045	St. Steel AISI 416
Shaft Sleeve	Bronze SAE 660	St. Steel AISI 416	St. Steel AISI 416	
Mech. Seal	Ceramic	Tungsten Carbide	Ceramic	Tungsten Carbide
Seal Flush Line	Copper		Copper	

OPERATING SPECIFICATIONS		
	Standard	Optional
Pressure	175 PSIG*	
Temperature: Mechanical Seal	250F	300F

Motors: All NEMA Standard (JM)  
 \* In accordance with ANSI Standard B16.1 Class 125

ADDITIONAL OPTIONS	
Filters	Cuno 5 Micron
Separators	Kynar Cyclone Separator

COMMENTS: \_\_\_\_\_



# Submittal Data Information VI Series Pumps

301-1033

EFFECTIVE: JULY 1, 1993

SUPERSEDES: NEW

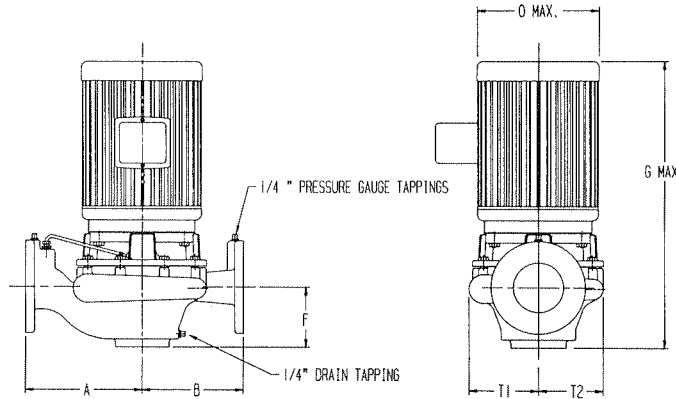
3500 RPM MODEL 1507

JOB \_\_\_\_\_

ENGINEER \_\_\_\_\_

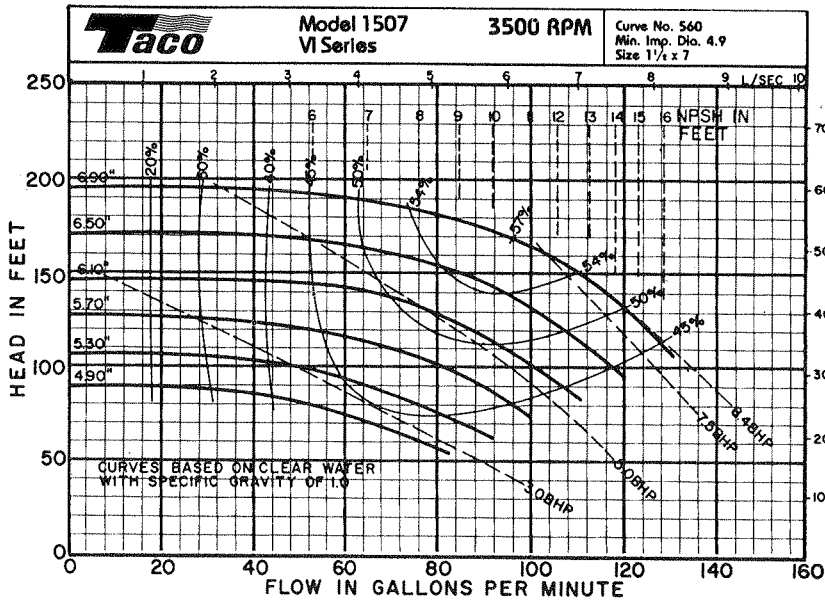
CONTRACTOR \_\_\_\_\_ REP. \_\_\_\_\_

ITEM NO.	MODEL NO.	IMPELLER DIA.	G.P.M.	HEAD/FT.	H.P.	ELEC. CHARS.
----------	-----------	---------------	--------	----------	------	--------------



50 Cycle Performance Curves attached when applicable.

Model No.	Conn.	HP 1160 RPM	HP 1760 RPM	HP 3500 RPM	Motor Frame	A	B	F	G Max.	O Max.	T1	T2
1507	1-1/2	1/2	1 1-1/2	3	143	6-7/8	6-3/32	3-3/4	17-9/16	7-5/16	5-5/16	5
				5	145				21-5/8	9-9/16		
				7-1/2	182				23-5/8	11-1/4		
				10	184				25-1/8			
					213							
				215								



WEIGHT \_\_\_\_\_ PUMP/MOTOR

Item	BRONZE FITTED		ALL IRON	
	Std. Pump Constr.	Optional	Standard	Optional
Casing	Cast Iron ASTM A48 Cl. 35		Cast Iron ASTM A48 Cl. 35	
Impeller	Bronze ASTM B30-4A		Cast Iron ASTM A48 Cl. 35	
Wear Ring	Bronze ASTM B30-4A		Bronze ASTM B30-4A	
Shaft	Carbon Steel AISI 1045	St. Steel AISI 416	Carbon Steel AISI 1045	St. Steel AISI 416
Shaft Sleeve	Bronze SAE 660	St. Steel AISI 416	St. Steel AISI 416	
Mech. Seal	Ceramic	Tungsten Carbide	Ceramic	Tungsten Carbide
Seal Flush Line	Copper		Copper	

OPERATING SPECIFICATIONS		
	Standard	Optional
Pressure	175 PSIG*	
Temperature: Mechanical Seal	250F	300F

Motors: All NEMA Standard (JM)  
\* In accordance with ANSI Standard B16.1 Class 125

ADDITIONAL OPTIONS	
Filters	Cuno 5 Micron
Separators	Kynar Cyclone Separator

COMMENTS: \_\_\_\_\_



# Submittal Data Information VI Series Pumps

301-1034

EFFECTIVE: JULY 1, 1993

SUPERSEDES: NEW

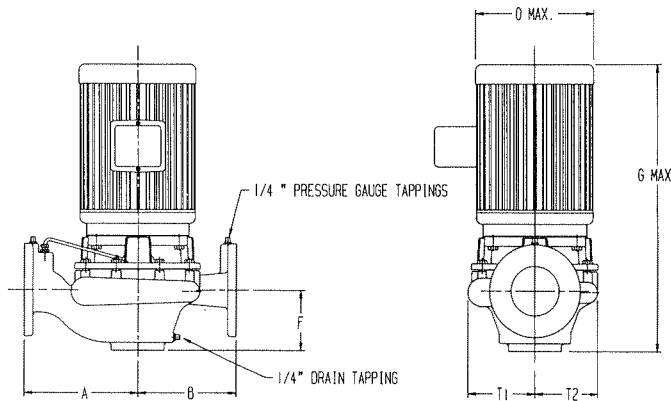
3500 RPM MODEL 2006

JOB \_\_\_\_\_

ENGINEER \_\_\_\_\_

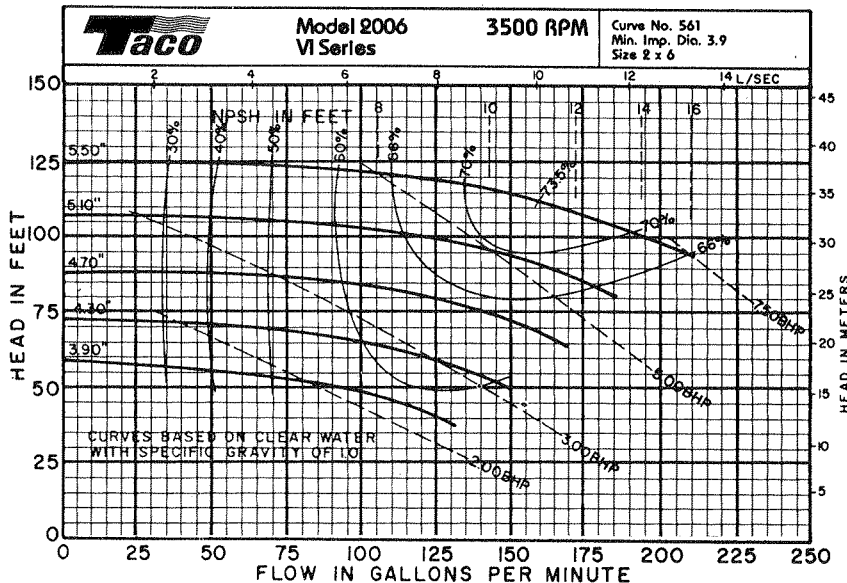
CONTRACTOR \_\_\_\_\_ REP. \_\_\_\_\_

ITEM NO.	MODEL NO.	IMPELLER DIA.	G.P.M.	HEAD/FT.	H.P.	ELEC. CHARS.
----------	-----------	---------------	--------	----------	------	--------------



50 Cycle Performance Curves attached when applicable.

Model No.	Conn.	HP 1160 RPM	HP 1760 RPM	HP 3500 RPM	Motor Frame	A	B	F	G Max.	O Max.	T1	T2
2006	2		1 1-1/2	3	143	6-1/2	5-5/16	3-15/16	17-3/4	7-5/16	5-1/8	4-1/2
				5	145							
				7-1/2	182							
					184							
					213							
									21-13/16	9-9/16		
									23-13/16	11-1/4		



Item	BRONZE FITTED		ALL IRON	
	Std. Pump Constr.	Optional	Standard	Optional
Casing	Cast Iron ASTM A48 Cl. 35		Cast Iron ASTM A48 Cl. 35	
Impeller	Bronze ASTM B30-4A		Cast Iron ASTM A48 Cl. 35	
Wear Ring	Bronze ASTM B30-4A		Bronze ASTM B30-4A	
Shaft	Carbon Steel AISI 1045	St. Steel AISI 416	Carbon Steel AISI 1045	St. Steel AISI 416
Shaft Sleeve	Bronze SAE 660	St. Steel AISI 416	St. Steel AISI 416	
Mech. Seal	Ceramic	Tungsten Carbide	Ceramic	Tungsten Carbide
Seal Flush Line	Copper		Copper	

OPERATING SPECIFICATIONS		
	Standard	Optional
Pressure	175 PSIG*	
Temperature: Mechanical Seal	250F	300F

Motors: All NEMA Standard (JM)  
\* In accordance with ANSI Standard B16.1 Class 125

ADDITIONAL OPTIONS	
Filters	Cuno 5 Micron
Separators	Kynar Cyclone Separator

COMMENTS: \_\_\_\_\_

TACO, INC., 1160 Cranston Street, Cranston, RI 02920 (401) 942-8000 FAX: (401) 942-2360.

TACO (Canada), Ltd., 1310 Almclo Blvd., Mississauga, Ontario L4W1B2. Telephone: 416/625-2160. FAX: 416/625-8616.

Printed in USA  
Copyright 1993  
TACO, INC.



# Submittal Data Information

## VI Series Pumps

301-1035

EFFECTIVE: JULY 1, 1993

SUPERSEDES: NEW

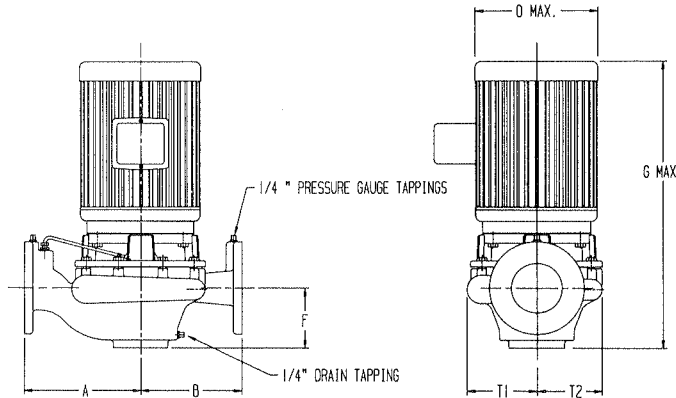
3500 RPM MODEL 2007

JOB \_\_\_\_\_

ENGINEER \_\_\_\_\_

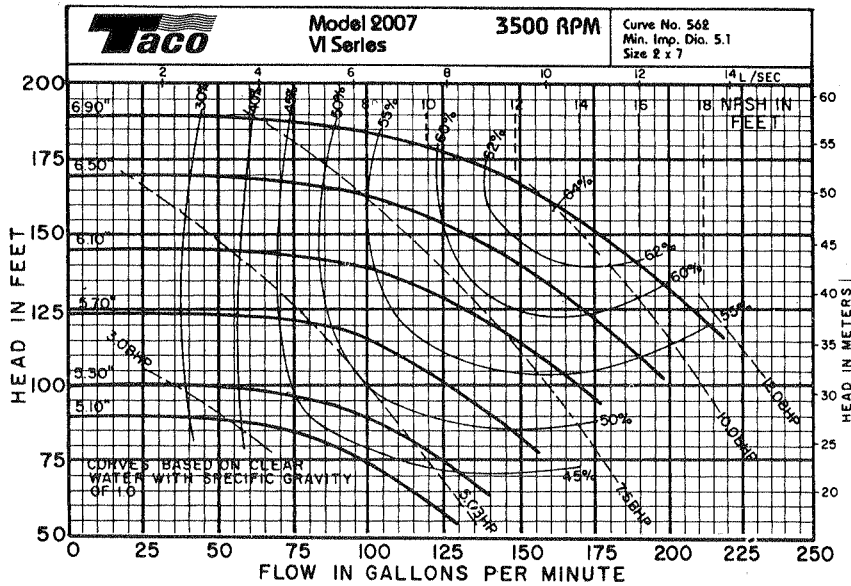
CONTRACTOR \_\_\_\_\_ REP. \_\_\_\_\_

ITEM NO.	MODEL NO.	IMPELLER DIA.	G.P.M.	HEAD/FT.	H.P.	ELEC. CHARS.
----------	-----------	---------------	--------	----------	------	--------------



50 Cycle Performance Curves attached when applicable.

Model No.	Conn.	HP 1160 RPM	HP 1760 RPM	HP 3500 RPM	Motor Frame	A	B	F	G Max.	O Max.	T1	T2
2007	2	1/2	1 1-1/2 2	3 5 7-1/2 10 15	143	7-9/32	6-3/32	3-15/16	17-3/4	7-5/16	5-9/16	5-1/8
					145							
					145							
					162							
					184							
					213							
215												
254												
								19				
								21-13/16	9-9/16			
								23-13/16	11-1/4			
								25-5/16				
								29-3/16	13-3/8			



WEIGHT \_\_\_\_\_ PUMP/MOTOR

Item	BRONZE FITTED		ALL IRON	
	Std. Pump Constr.	Optional	Standard	Optional
Casing	Cast Iron ASTM A48 Cl. 35		Cast Iron ASTM A48 Cl. 35	
Impeller	Bronze ASTM B30-4A		Cast Iron ASTM A48 Cl. 35	
Wear Ring	Bronze ASTM B30-4A		Bronze ASTM B30-4A	
Shaft	Carbon Steel AISI 1045	St. Steel AISI 416	Carbon Steel AISI 1045	St. Steel AISI 416
Shaft Sleeve	Bronze SAE 660	St. Steel AISI 416	St. Steel AISI 416	
Mech. Seal	Ceramic	Tungsten Carbide	Ceramic	Tungsten Carbide
Seal Flush Line	Copper		Copper	

OPERATING SPECIFICATIONS		
	Standard	Optional
Pressure	175 PSIG*	
Temperature: Mechanical Seal	250F	300F

Motors: All NEMA Standard (JM)  
\* In accordance with ANSI Standard B16.1 Class 125

ADDITIONAL OPTIONS	
Filters	Cuno 5 Micron
Separators	Kynar Cyclone Separator

COMMENTS: \_\_\_\_\_



# Submittal Data Information

## VI Series Pumps

301-1036

EFFECTIVE: JULY 1, 1993

SUPERSEDES: NEW

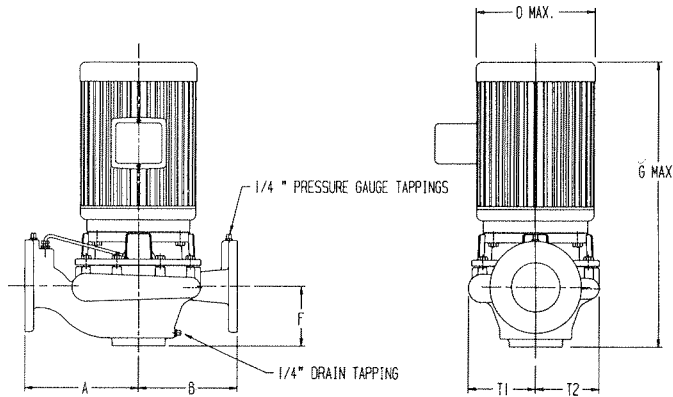
3500 RPM MODEL 2008

JOB \_\_\_\_\_

ENGINEER \_\_\_\_\_

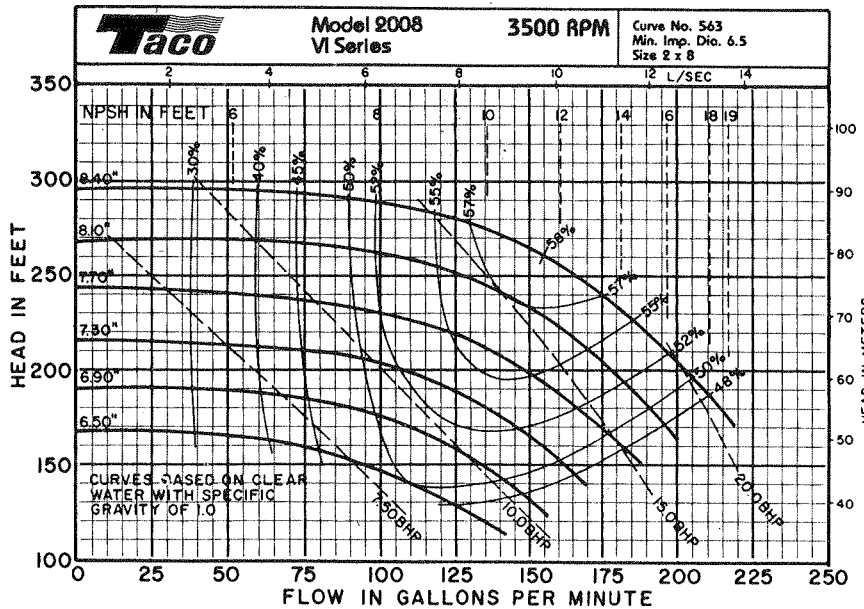
CONTRACTOR \_\_\_\_\_ REP. \_\_\_\_\_

ITEM NO.	MODEL NO.	IMPELLER DIA.	G.P.M.	HEAD/FT.	H.P.	ELEC. CHARS.
----------	-----------	---------------	--------	----------	------	--------------



50 Cycle Performance Curves attached when applicable.

Model No.	Conn.	HP 1160 RPM	HP 1760 RPM	HP 3500 RPM	Motor Frame	A	B	F	G Max.	O Max.	T1	T2
2008	2	1/2	1 1-1/2 2 3	7-1/2 10 15 20	143	7-11/16	6-7/8	3-15/16	17-3/4	7-5/16	6-1/8	5-3/4
		3/4			143							
		1			145							
					145							
					182							
					213							
					215							
					254							
					256							
		21-13/16	9-9/16									
		23-13/16	11-1/4									
		25-5/16										
		29-3/16	13-3/8									
		30-15/16										



Item	BRONZE FITTED		ALL IRON	
	Std. Pump Constr.	Optional	Standard	Optional
Casing	Cast Iron ASTM A48 Cl. 35		Cast Iron ASTM A48 Cl. 35	
Impeller	Bronze ASTM B30-4A		Cast Iron ASTM A48 Cl. 35	
Wear Ring	Bronze ASTM B30-4A		Bronze ASTM B30-4A	
Shaft	Carbon Steel AISI 1045	St. Steel AISI 416	Carbon Steel AISI 1045	St. Steel AISI 416
Shaft Sleeve	Bronze SAE 660	St. Steel AISI 416	St. Steel AISI 416	
Mech. Seal	Ceramic	Tungsten Carbide	Ceramic	Tungsten Carbide
Seal Flush Line	Copper		Copper	

OPERATING SPECIFICATIONS		
	Standard	Optional
Pressure	175 PSIG*	
Temperature: Mechanical Seal	250F	300F

Motors: All NEMA Standard (JM)  
\* In accordance with ANSI Standard B16.1 Class 125

ADDITIONAL OPTIONS	
Filters	Cuno 5 Micron
Separators	Kynar Cyclone Separator

COMMENTS: \_\_\_\_\_

TACO, INC., 1160 Cranston Street, Cranston, RI 02920 (401) 942-8000 FAX: (401) 942-2360.

TACO (Canada), Ltd., 1310 Almco Blvd., Mississauga, Ontario L4W1B2. Telephone: 416/625-2160. FAX: 416/625-8616.

Printed in USA  
Copyright 1993  
TACO, INC.



# Submittal Data Information

## VI Series Pumps

301-1037

EFFECTIVE: JULY 1, 1993

SUPERSEDES: NEW

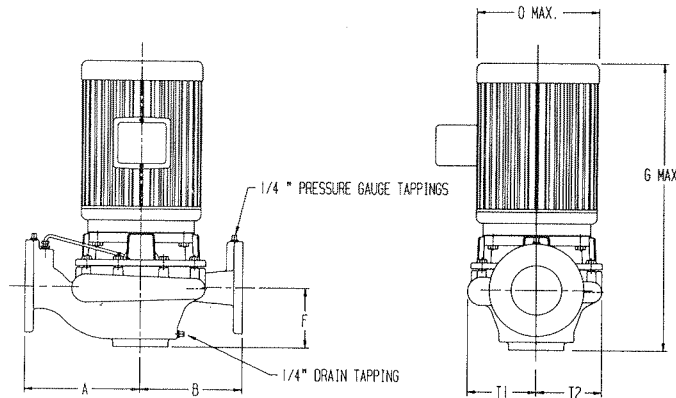
3500 RPM MODEL 2506

JOB \_\_\_\_\_

ENGINEER \_\_\_\_\_

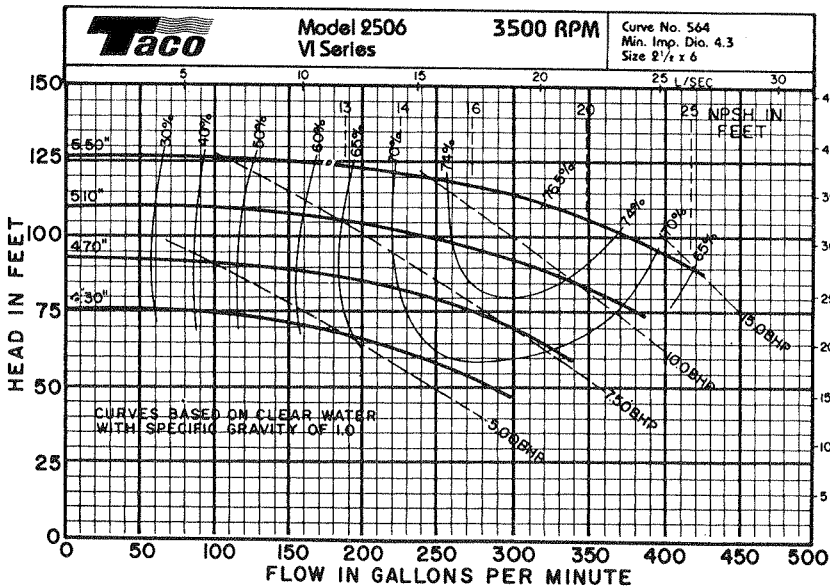
CONTRACTOR \_\_\_\_\_ REP. \_\_\_\_\_

ITEM NO.	MODEL NO.	IMPELLER DIA.	G.P.M.	HEAD/FT.	H.P.	ELEC. CHARS.
----------	-----------	---------------	--------	----------	------	--------------



50 Cycle Performance Curves attached when applicable.

Model No.	Conn.	HP 1160 RPM	HP 1760 RPM	HP 3500 RPM	Motor Frame	A	B	F	G Max.	O Max.	T1	T2
2506	2-1/2		1	5	143	7	6-3/32	4-1/8	17-15/16	7-5/16	5-7/16	4-3/4
			1-1/2		145				19-3/16			
			2		145				22	9-9/16		
			7-1/2	184	24				11-1/4			
			10	213	25-1/2							
			15	254	29-3/8				13-3/8			



Item	BRONZE FITTED		ALL IRON	
	Std. Pump Constr.	Optional	Standard	Optional
Casing	Cast Iron ASTM A48 Cl. 35		Cast Iron ASTM A48 Cl. 35	
Impeller	Bronze ASTM B30-4A		Cast Iron ASTM A48 Cl. 35	
Wear Ring	Bronze ASTM B30-4A		Bronze ASTM B30-4A	
Shaft	Carbon Steel AISI 1045	St. Steel AISI 416	Carbon Steel AISI 1045	St. Steel AISI 416
Shaft Sleeve	Bronze SAE 660	St. Steel AISI 416	St. Steel AISI 416	
Mech. Seal	Ceramic	Tungsten Carbide	Ceramic	Tungsten Carbide
Seal Flush Line	Copper		Copper	

OPERATING SPECIFICATIONS		
	Standard	Optional
Pressure	175 PSIG*	
Temperature: Mechanical Seal	250F	300F

Motors: All NEMA Standard (JM)  
\* In accordance with ANSI Standard B16.1 Class 125

ADDITIONAL OPTIONS	
Filters	Cuno 5 Micron
Separators	Kynar Cyclone Separator

WEIGHT \_\_\_\_\_ PUMP/MOTOR

COMMENTS: \_\_\_\_\_

TACO, INC., 1160 Cranston Street, Cranston, RI 02920 (401) 942-8000 FAX: (401) 942-2360.

TACO (Canada), Ltd., 1310 Almco Blvd., Mississauga, Ontario L4W1B2. Telephone: 416/625-2160. FAX: 416/625-8616.

Printed in USA  
Copyright 1993  
TACO, INC.



# Submittal Data Information VI Series Pumps

301-1038

EFFECTIVE: JULY 1, 1993

SUPERSEDES: NEW

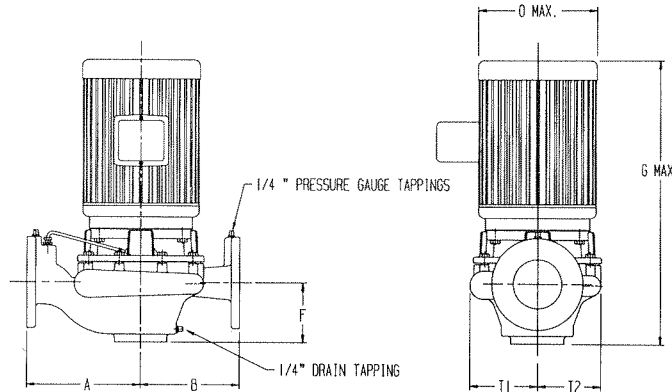
3500 RPM MODEL 2507

JOB \_\_\_\_\_

ENGINEER \_\_\_\_\_

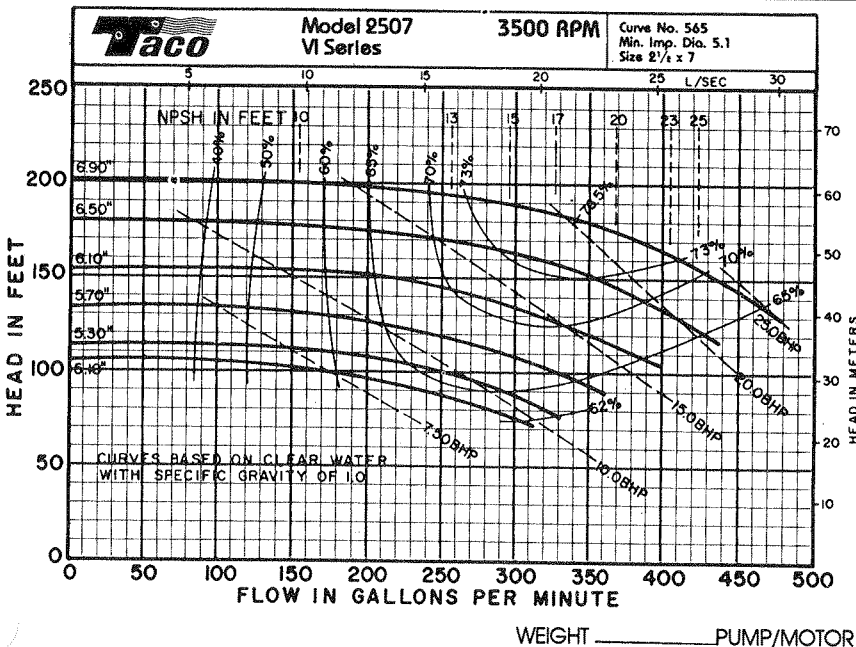
CONTRACTOR \_\_\_\_\_ REP. \_\_\_\_\_

ITEM NO.	MODEL NO.	IMPELLER DIA.	G.P.M.	HEAD/FT.	H.P.	ELEC. CHARS.
----------	-----------	---------------	--------	----------	------	--------------



50 Cycle Performance Curves attached when applicable.

Model No.	Conn.	HP 1160 RPM	HP 1760 RPM	HP 3500 RPM	Motor Frame	A	B	F	G Max.	O Max.	T1	T2
2507	2-1/2	1/2	1-1/2	7-1/2	143	7-11/16	6-7/8	4-1/8	17-15/16	7-5/16	6	5-5/16
		3/4			143				19-3/16			
		1			145				22	9-9/16		
		2			145				24	11-1/4		
		3			182				25-1/2	13-3/8		
		5	184	29-3/8	13-3/8							
			213	31-1/8	13-3/8							
			215	31-5/8	13-3/8							
			254									
			256									
	284											



Item	BRONZE FITTED		ALL IRON	
	Std. Pump Constr.	Optional	Standard	Optional
Casing	Cast Iron ASTM A48 Cl. 35		Cast Iron ASTM A48 Cl. 35	
Impeller	Bronze ASTM B30-4A		Cast Iron ASTM A48 Cl. 35	
Wear Ring	Bronze ASTM B30-4A		Bronze ASTM B30-4A	
Shaft	Carbon Steel AISI 1045	St. Steel AISI 416	Carbon Steel AISI 1045	St. Steel AISI 416
Shaft Sleeve	Bronze SAE 660	St. Steel AISI 416	St. Steel AISI 416	
Mech. Seal	Ceramic	Tungsten Carbide	Ceramic	Tungsten Carbide
Seal Flush Line	Copper		Copper	

OPERATING SPECIFICATIONS		
	Standard	Optional
Pressure	175 PSIG*	
Temperature: Mechanical Seal	250F	300F

Motors: All NEMA Standard (JM)  
\* In accordance with ANSI Standard B16.1 Class 125

ADDITIONAL OPTIONS	
Filters	Cuno 5 Micron
Separators	Kynar Cyclone Separator

COMMENTS: \_\_\_\_\_

TACO, INC., 1160 Cranston Street, Cranston, RI 02920 (401) 942-8000 FAX: (401) 942-2360.

TACO (Canada), Ltd., 1310 Almco Blvd., Mississauga, Ontario L4W1B2. Telephone: 416/625-2160. FAX: 416/625-8616.

Printed in USA  
Copyright 1993  
TACO, INC.





# Submittal Data Information VI Series Pumps

301-1039

EFFECTIVE: JULY 1, 1993

SUPERSEDES: NEW

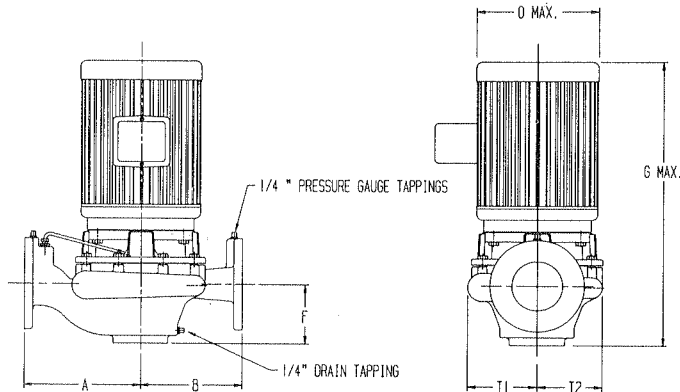
3500 RPM MODEL 2508

JOB \_\_\_\_\_

ENGINEER \_\_\_\_\_

CONTRACTOR \_\_\_\_\_ REP. \_\_\_\_\_

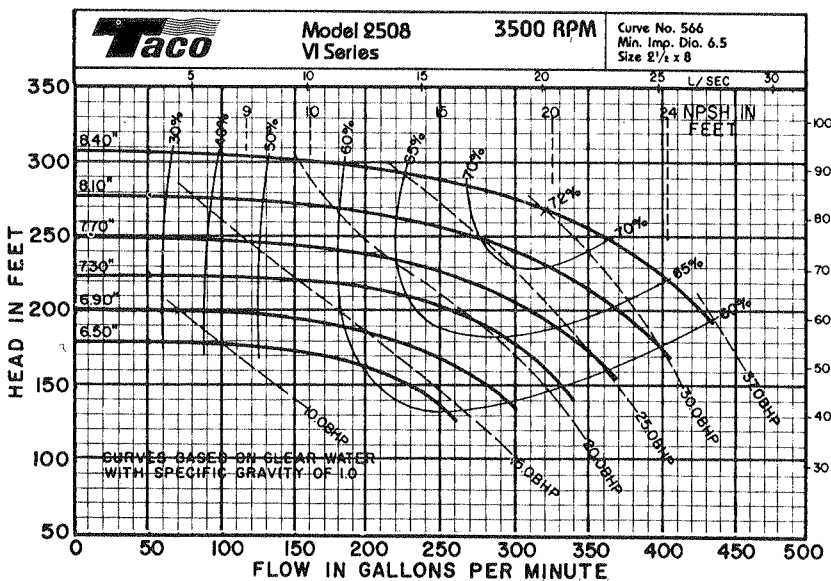
ITEM NO.	MODEL NO.	IMPELLER DIA.	G.P.M.	HEAD/FT.	H.P.	ELEC. CHARS.
----------	-----------	---------------	--------	----------	------	--------------



50 Cycle Performance Curves attached when applicable.

\*ODP MOTOR W/DRIP COVER

Model No.	Conn.	HP 1160 RPM	HP 1760 RPM	HP 3500 RPM	Motor Frame	A	B	F	G Max.	O Max.	T1	T2		
2508	2-1/2	1/2	2	10	143	8-1/4	7-11/16	4-1/8	17-15/16	7-5/16	6-9/16	6		
		3/4			143				19-3/16	7-5/16				
		1			145				22	9-9/16				
		1-1/2			145				25-1/2	11-1/4				
					182				29-3/8	13-3/8				
					184				31-1/8					
									215				31-5/8	
									254				33-1/8	14
									256				33-1/8	
									284					
									286					
									40				286*	



Item	BRONZE FITTED		ALL IRON	
	Std. Pump Constr.	Optional	Standard	Optional
Casing	Cast Iron ASTM A48 Cl. 35		Cast Iron ASTM A48 Cl. 35	
Impeller	Bronze ASTM B30-4A		Cast Iron ASTM A48 Cl. 35	
Wear Ring	Bronze ASTM B30-4A		Bronze ASTM B30-4A	
Shaft	Carbon Steel AISI 1045	St. Steel AISI 416	Carbon Steel AISI 1045	St. Steel AISI 416
Shaft Sleeve	Bronze SAE 660	St. Steel AISI 416	St. Steel AISI 416	
Mech. Seal	Ceramic	Tungsten Carbide	Ceramic	Tungsten Carbide
Seal Flush Line	Copper		Copper	

OPERATING SPECIFICATIONS		
	Standard	Optional
Pressure	175 PSIG*	
Temperature: Mechanical Seal	250F	300F

Motors: All NEMA Standard (JM)  
\* In accordance with ANSI Standard B16.1 Class 125

ADDITIONAL OPTIONS	
Filters	Cuno 5 Micron
Separators	Kynar Cyclone Separator

WEIGHT \_\_\_\_\_ PUMP/MOTOR

COMMENTS: \_\_\_\_\_

TACO, INC., 1160 Cranston Street, Cranston, RI 02920 (401) 942-8000 FAX: (401) 942-2360.

TACO (Canada), Ltd., 1310 Almco Blvd., Mississauga, Ontario L4W1B2. Telephone: 416/625-2160. FAX: 416/625-8616.

Printed in USA  
Copyright 1993  
TACO, INC.



# Submittal Data Information VI Series Pumps

301-1040

EFFECTIVE: JULY 1, 1993

SUPERSEDES: NEW

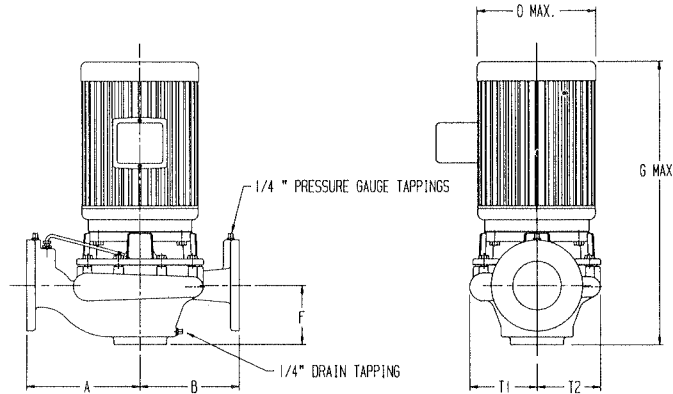
3500 RPM MODEL 3006

JOB \_\_\_\_\_

ENGINEER \_\_\_\_\_

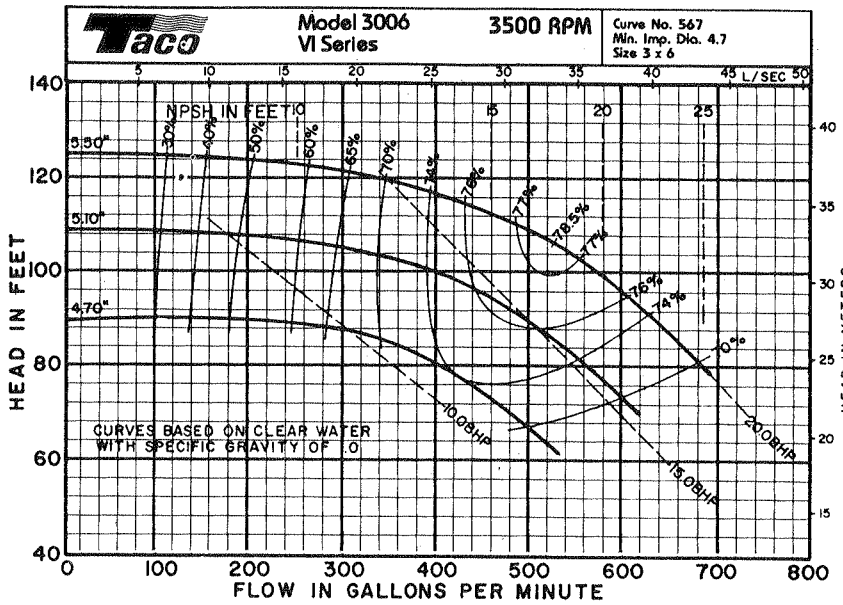
CONTRACTOR \_\_\_\_\_ REP. \_\_\_\_\_

ITEM NO.	MODEL NO.	IMPELLER DIA.	G.P.M.	HEAD/FT.	H.P.	ELEC. CHARS.
----------	-----------	---------------	--------	----------	------	--------------



50 Cycle Performance Curves attached when applicable.

Model No.	Conn.	HP 1160 RPM	HP 1760 RPM	HP 3500 RPM	Motor Frame	A	B	F	G Max.	O Max.	T1	T2	
3006	3		1-1/2	10	145	9-1/4	6-7/8	5-1/8	18-15/16	7-5/16	6-1/2	5-1/4	
			2		145				20-3/16				
			3		182				23				9-9/16
					215				26-1/2				11-1/4
					254				30-3/8				13-3/8
					256				32-1/8				



WEIGHT \_\_\_\_\_ PUMP/MOTOR

Item	BRONZE FITTED		ALL IRON	
	Std. Pump Constr.	Optional	Standard	Optional
Casing	Cast Iron ASTM A48 Cl. 35		Cast Iron ASTM A48 Cl. 35	
Impeller	Bronze ASTM B30-4A		Cast Iron ASTM A48 Cl. 35	
Wear Ring	Bronze ASTM B30-4A		Bronze ASTM B30-4A	
Shaft	Carbon Steel AISI 1045	St. Steel AISI 416	Carbon Steel AISI 1045	St. Steel AISI 416
Shaft Sleeve	Bronze SAE 660	St. Steel AISI 416	St. Steel AISI 416	
Mech. Seal	Ceramic	Tungsten Carbide	Ceramic	Tungsten Carbide
Seal Flush Line	Copper		Copper	

OPERATING SPECIFICATIONS		
	Standard	Optional
Pressure	175 PSIG*	
Temperature: Mechanical Seal	250F	300F

\* Motors: All NEMA Standard (JM)  
 \* In accordance with ANSI Standard B16.1 Class 125

ADDITIONAL OPTIONS	
Filters	Cuno 5 Micron
Separators	Kynar Cyclone Separator

COMMENTS: \_\_\_\_\_

TACO, INC., 1160 Cranston Street, Cranston, RI 02920 (401) 942-8000 FAX: (401) 942-2360.

TACO (Canada), Ltd., 1310 Almco Blvd., Mississauga, Ontario L4W1B2. Telephone: 416/625-2160. FAX: 416/625-8616.

Printed in USA  
 Copyright 1993  
 TACO, INC.



# Submittal Data Information VI Series Pumps

301-1041

EFFECTIVE: JULY 1, 1993

SUPERSEDES: NEW

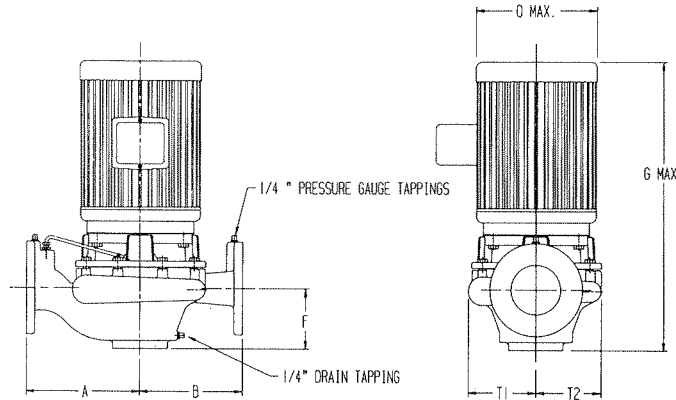
3500 RPM MODEL 3007

JOB \_\_\_\_\_

ENGINEER \_\_\_\_\_

CONTRACTOR \_\_\_\_\_ REP. \_\_\_\_\_

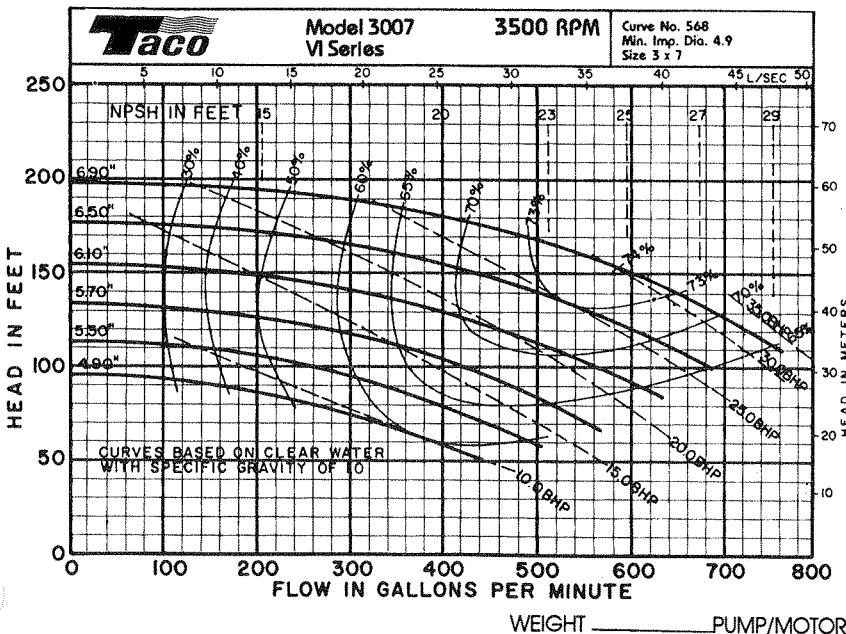
ITEM NO.	MODEL NO.	IMPELLER DIA.	G.P.M.	HEAD/FT.	H.P.	ELEC. CHARS.
----------	-----------	---------------	--------	----------	------	--------------



50 Cycle Performance Curves attached when applicable.

\*ODP MOTOR W/DRIP COVER

Model No.	Conn.	HP 1160 RPM	HP 1760 RPM	HP 3500 RPM	Motor Frame	A	B	F	G Max.	O Max.	T1	T2		
3007	3	1/2	1-1/2	10	143	9-1/4	7-11/16	5-1/8	18-15/16	7-5/16	6-7/8	5-11/16		
		3/4			143				20-3/16					
		1			145				23				9-9/16	
		2			145									
		3			182									
		5			184									
					215								26-1/2	11-1/4
					254								30-3/8	13-3/8
					256								32-1/8	
					284								32-5/8	
					286								34-1/8	
					286*								34-1/8	14



Item	BRONZE FITTED		ALL IRON	
	Std. Pump Constr.	Optional	Standard	Optional
Casing	Cast Iron ASTM A48 Cl. 35		Cast Iron ASTM A48 Cl. 35	
Impeller	Bronze ASTM B30-4A		Cast Iron ASTM A48 Cl. 35	
Wear Ring	Bronze ASTM B30-4A		Bronze ASTM B30-4A	
Shaft	Carbon Steel AISI 1045	St. Steel AISI 416	Carbon Steel AISI 1045	St. Steel AISI 416
Shaft Sleeve	Bronze SAE 660	St. Steel AISI 416	St. Steel AISI 416	
Mech. Seal	Ceramic	Tungsten Carbide	Ceramic	Tungsten Carbide
Seal Flush Line	Copper		Copper	

OPERATING SPECIFICATIONS		
	Standard	Optional
Pressure	175 PSIG*	
Temperature: Mechanical Seal	250F	300F

Motors: All NEMA Standard (JM)  
\* In accordance with ANSI Standard B16.1 Class 12C

ADDITIONAL OPTIONS	
Filters	Cuno 5 Micron
Separators	Kynar Cyclone Separator

COMMENTS: \_\_\_\_\_

TACO, INC., 1160 Cranston Street, Cranston, RI 02920 (401) 942-8000 FAX: (401) 942-2360.

TACO (Canada), Ltd., 1310 Almco Blvd., Mississauga, Ontario L4W1B2. Telephone: 416/625-2160. FAX: 416/625-8616.

Printed in USA  
Copyright 1993  
TACO, INC.



# Submittal Data Information VI Series Pumps

301-1042

EFFECTIVE: JULY 1, 1993

SUPERSEDES: NEW

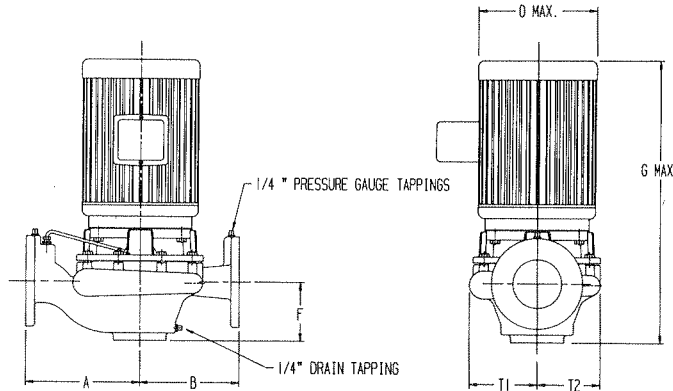
3500 RPM MODEL 3008

JOB \_\_\_\_\_

ENGINEER \_\_\_\_\_

CONTRACTOR \_\_\_\_\_ REP. \_\_\_\_\_

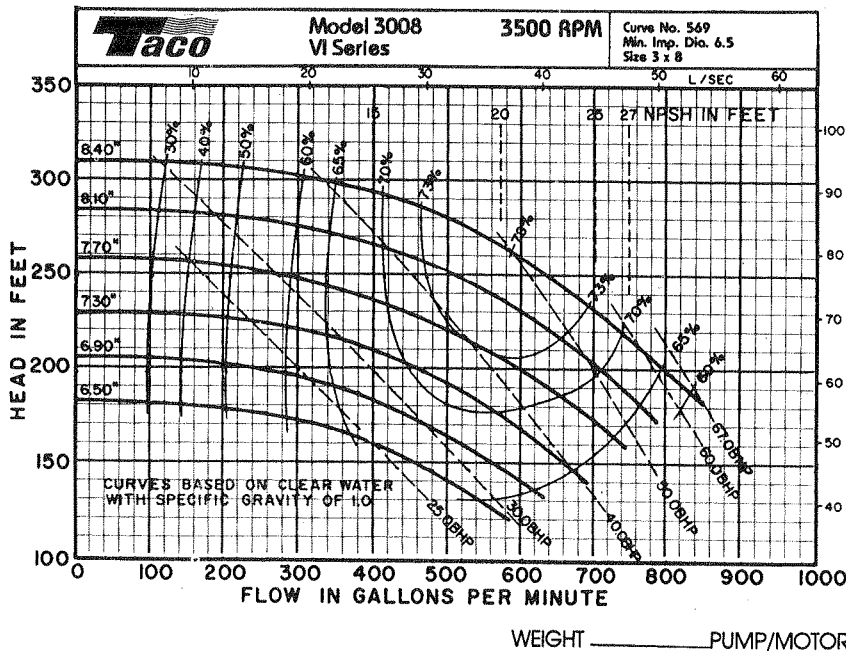
ITEM NO.	MODEL NO.	IMPELLER DIA.	G.P.M.	HEAD/FT.	H.P.	ELEC. CHARS.
----------	-----------	---------------	--------	----------	------	--------------



50 Cycle Performance Curves attached when applicable.

\*ODP MOTOR W/DRIP COVER

Model No.	Conn.	HP 1160 RPM	HP 1760 RPM	HP 3500 RPM	Motor Frame	A	B	F	G Max.	O Max.	T1	T2
3008	3	1	3	25	145	9-13/16	8-11/16	5-1/8	18-15/16	7-5/16	7-3/16	6-3/8
		1-1/2			182				23	9-9/16		
		2			184				11-1/4			
		3			213							
		7-1/2			215							
		10	284									
		30	286		13-3/8							
		40	286*		14							
		50	324*		16							
		60	326*		36-7/16							



Item	BRONZE FITTED		ALL IRON	
	Std. Pump Constr.	Optional	Standard	Optional
Casing	Cast Iron ASTM A48 Cl. 35		Cast Iron ASTM A48 Cl. 35	
Impeller	Bronze ASTM B30-4A		Cast Iron ASTM A48 Cl. 35	
Wear Ring	Bronze ASTM B30-4A		Bronze ASTM B30-4A	
Shaft	Carbon Steel AISI 1045	St. Steel AISI 416	Carbon Steel AISI 1045	St. Steel AISI 416
Shaft Sleeve	Bronze SAE 660	St. Steel AISI 416	St. Steel AISI 416	
Mech. Seal	Ceramic	Tungsten Carbide	Ceramic	Tungsten Carbide
Seal Flush Line	Copper		Copper	

OPERATING SPECIFICATIONS		
	Standard	Optional
Pressure	175 PSIG*	
Temperature: Mechanical Seal	250F	300F

Motors: All NEMA Standard (JM)  
\* In accordance with ANSI Standard B16.1 Class 125

ADDITIONAL OPTIONS	
Filters	Cuno 5 Micron
Separators	Kynar Cyclone Separator

COMMENTS: \_\_\_\_\_



# Submittal Data Information

## VI Series Pumps

301-1043

EFFECTIVE: JULY 1, 1993

SUPERSEDES: NEW

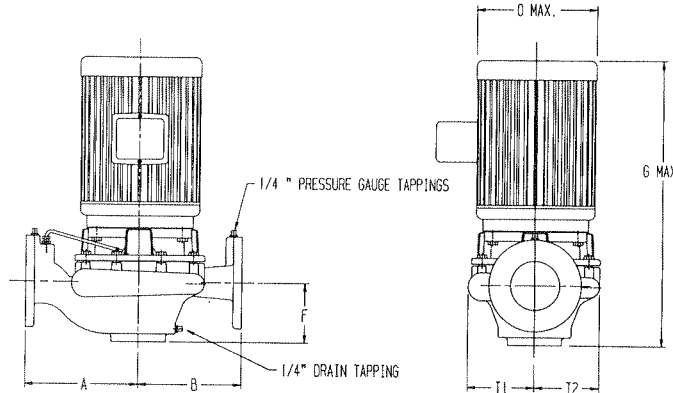
3500 RPM MODEL 4007

JOB \_\_\_\_\_

ENGINEER \_\_\_\_\_

CONTRACTOR \_\_\_\_\_ REP. \_\_\_\_\_

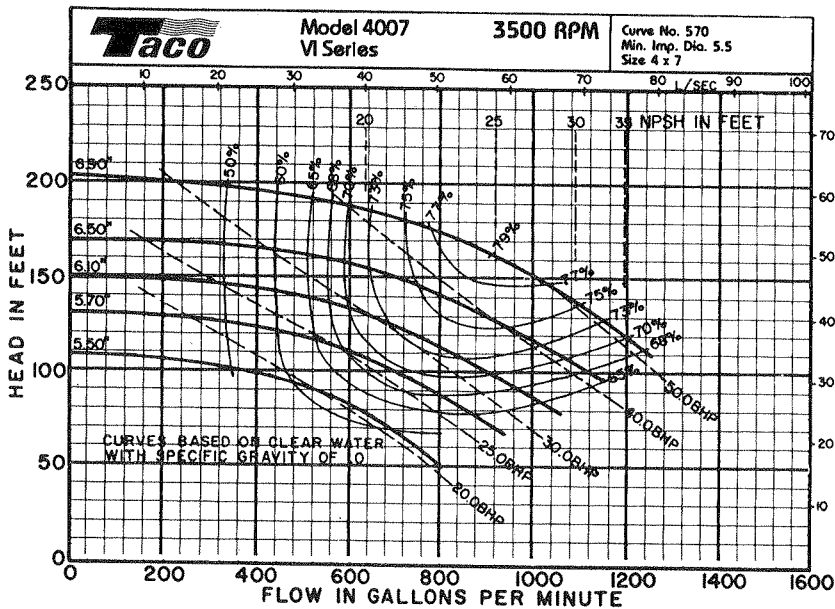
ITEM NO.	MODEL NO.	IMPELLER DIA.	G.P.M.	HEAD/FT.	H.P.	ELEC. CHARS.
----------	-----------	---------------	--------	----------	------	--------------



50 Cycle Performance Curves attached when applicable.

\*ODP MOTOR W/D RIP COVER

Model No.	Conn.	HP 1160 RPM	HP 1760 RPM	HP 3500 RPM	Motor Frame	A	B	F	G Max.	O Max.	T1	T2
4007	4	1	3	20	145	10-7/16	8-11/16	5-29/32	19-23/32	7-5/16	7-1/4	5-7/8
		1-1/2			5				23-25/32	9-9/16		
		2			7-1/2				25-25/32	11-1/4		
			25		32-15/16				13-3/8			
			30		33-7/16							
			40		34-15/16							
			50		34-15/16				14			
			60		35-3/4				16			
					37-1/4							
					326*							



Item	BRONZE FITTED		ALL IRON	
	Std. Pump Constr.	Optional	Standard	Optional
Casing	Cast Iron ASTM A48 Cl. 35		Cast Iron ASTM A48 Cl. 35	
Impeller	Bronze ASTM B30-4A		Cast Iron ASTM A48 Cl. 35	
Wear Ring	Bronze ASTM B30-4A		Bronze ASTM B30-4A	
Shaft	Carbon Steel AISI 1045	St. Steel AISI 416	Carbon Steel AISI 1045	St. Steel AISI 416
Shaft Sleeve	Bronze SAE 660	St. Steel AISI 416	St. Steel AISI 416	
Mech. Seal	Ceramic	Tungsten Carbide	Ceramic	Tungsten Carbide
Seal Flush Line	Copper		Copper	

OPERATING SPECIFICATIONS		
	Standard	Optional
Pressure	175 PSIG*	
Temperature: Mechanical Seal	250F	300F

Motors: All NEMA Standard (JM)  
\* In accordance with ANSI Standard B16.1 Class 125

ADDITIONAL OPTIONS	
Filters	Cuno 5 Micron
Separators	Kynar Cyclone Separator

COMMENTS: \_\_\_\_\_

TACO, INC., 1160 Cranston Street, Cranston, RI 02920 (401) 942-8000 FAX: (401) 942-2360.

TACO (Canada), Ltd., 1310 Almco Blvd., Mississauga, Ontario L4W1B2. Telephone: 416/625-2160. FAX: 416/625-8616.

Printed In USA  
Copyright 1993  
TACO, INC.